



Western Regional Science Association 47th Annual Meeting Program

Hilton Waikoloa Village Resort ~ The Big Island of Hawai'i February 17 – 20, 2008

Aloha!

Welcome to the Kona Coast of the Big Island of Hawai'i, to the Hilton Waikoloa Village, and to WRSA's 47th Annual Meeting.

There may have been some changes since you last checked the Preliminary Program on the Association's website. So please check the timing as well as the locations of your sessions. The Program Participant Locator, found on Pages 17–20, should help you find when and where you and others are scheduled.

The hotel maps on Pages 23–24 show the location of conference events.

The box on Page 3 contains information about the format of the sessions. Among other items listed, note that presenters and chairs should arrive at least ten minutes before their session to load Powerpoint files on one of the participant's laptops.

This year's Annual Meeting includes a number of special features. Per WRSA custom, the conference will formally open with a plenary session on Sunday afternoon, at 3:30 PM, in Kona 4.

The traditional Welcoming Reception will immediately follow the Opening Session on the Lagoon Lanai. All full-conference registrants and those for whom a Banquet and Receptions ticket packet have been purchased may use the ORANGE ticket for a first drink from the bar. Drinks will, in addition, be available on a cash-bar basis. Everybody – all accompanying persons – are very much welcome to attend the Opening Session and Welcoming Reception!

The Annual Banquet Luncheon is on Tuesday at 12:30 PM in the Water's Edge Ballroom. Please bring your GREEN ticket to be seated. Tickets for accompanying persons attending the Luncheon must have been purchased in advance.

On Tuesday evening, beginning at 5:45 PM, T. John Kim will host the annual President's Reception. Everyone – all accompanying persons as well as participants – are welcome at this function. Use the YELLOW ticket for a first drink.

Best wishes for a productive and stimulating conference, a restful stay at the Hilton Waikoloa Village, and a memorable visit to the Big Island.



Sunday, February 17

2:00 – 6:00 PM *Registration* (Kona Promenade)

3:30 – 5:15 PM *Plenary Opening Session* (Kona 4)

5:30 – 7:00 PM *Welcoming Reception* (Lagoon Lanai)



Plenary Opening Session

Sunday, 3:30 – 5:15 PM
(Kona 4)

Chair: Geoffrey J. D. HEWINGS
48th WRSA President (2007–2008)

*“Riding the Wave: Transformations and Cycles
in the Hawaii Economy”*

Carl BONHAM, Univ. Hawaii, Manoa

*Presidential Address:
“Technology and Space”*

T. John KIM
49th WRSA President (2008–2009)

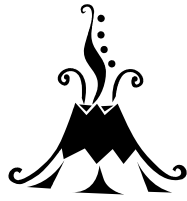
Discussant: Arthur GETIS
40th WRSA President (1999–2000)



Welcoming Reception

Sunday, 5:30 – 7:00 PM
(Lagoon Lanai)

*For all participants and accompanying persons:
Everyone welcome!*



Monday, February 18

7:15 AM – 12:15 PM (and 1:15 – 5:45 PM)

Registration (Kona Promenade)

8:00 AM – 12:15 PM

Seven Concurrent Paper Sessions:

- 1A Housing and Land Markets (Kohala 1)
- 1B Regional Disparities and Dynamics I (Kohala 2)
- 1C Spatial Modeling (Kona 1)
- 1D Entrepreneurship and the New Labor Force I (Kona 2)
- 1E Financing Development (Kona 3)
- 1F Tourism and Recreation I (Kona 4)
- 1G Western States Economic Outlook I (Queen's 4)

8:00 AM – 12:15 PM

W-2133 Session I (Kona 5)

9:30 – 10:00 AM

Coffee Break (Lagoon Lanai)

12:15 – 1:30 PM

Lunch Break (On your own this day)

1:15 – 5:45 PM

Registration Continues (Kona Promenade)

1:30 – 5:45 PM

Eight Concurrent Paper Sessions:

- 2A W-2133 / WRSa Joint Paper Session (Kohala 1)
- 2B Locational Analysis (Kohala 2)
- 2C Tourism and Recreation II (Kona 1)
- 2D Regional Disparities and Dynamics II (Kona 2)
- 2E Entrepreneurship and the New Labor Force II (Kona 3)
- 2F Urban Issues and Policy (Kona 4)
- 2G Location Patterns of the New Economy (Kona 5)
- 2H Western States Economic Outlook II (Queen's 4)

3:00 – 3:30 PM

Coffee Break (Lagoon Lanai)

3:30 – 5:00 PM

WRSa Board Meeting

(By Invitation Only; Water's Edge Boardroom)



Monday, 8:00 AM – 12:15 PM (Kohala 1)

Paper Session 1A ~ Housing and Land Markets

Chair: Koichi MERA, Univ. Southern California,
Los Angeles, USA

8:00–8:45

Measuring Land-Use Regulations and Their Effects in the Housing Market

John QUIGLEY, Steven RAPHAEL, and Larry A. ROSENTHAL,
Univ. California, Berkeley, USA

Discussant: Alessandro DE PINTO, Univ. Redlands, CA, USA

8:45–9:30

Rationing in the Market for New Housing: Evidence from Southern California

David SUNDING, Univ. California, Berkeley, and Aaron M. SWOBODA, Univ. Pittsburgh, USA

Discussant: Mark DOMS, Federal Reserve Bank, San Francisco, USA

9:30–10:00, *Coffee Break*

10:00–10:45

Speculative Epidemics in the Housing Market: The Case of Los Angeles and Las Vegas

Mary RIDDEL, Univ. Nevada, Las Vegas, USA

Discussant: Aaron M. SWOBODA, Univ. Pittsburgh, USA

10:45–11:30

Analysis of the Effects of Real Estate Policy on Housing Prices

In Hye CHOI, Keun Gyu LEE, and Kabsung KIM, Yonsei Univ., Seoul, Korea

Discussant: John KRAINER, Federal Reserve Bank, San Francisco, USA

11:30–12:15

Monitoring School Districts' Inefficiencies

Kalyan CHAKRABORTY, Emporia State Univ., KS, USA

Discussant: Bernard BIZET, ESSEC Business School, Cergy-Pontoise, France



Monday, 8:00 AM – 12:15 PM (Kohala 2)

Paper Session 1B ~

Regional Disparities and Dynamics I

Chair: James C. DAVIS, U.S. Census Bureau,
Washington, DC, USA

8:00–8:45

Comparative Spatial Dynamics of Regional Systems

Sergio J. REY and Xinyue YE, San Diego State Univ., CA, USA

Discussant: Mohammad ARZAGHI, American Univ.,
Sharjah, United Arab Emirates

8:45–9:30

Telecommunications Infrastructure and Regional Economic Convergence in China: Panel Data Approaches

Lei DING, Univ. North Carolina, Chapel Hill, Kingsley E. HAYNES and Yanchun LIU, George Mason Univ., Fairfax, VA, USA

Discussant: Jesús LÓPEZ-RODRIGUEZ, Univ. A. Coruña,
Spain

9:30–10:00, *Coffee Break*

10:00–10:45

Decentralization and Poverty Alleviation: Does Convergence Arise? Case Study: Indonesia: Java

Luhur FAJAR, Yuliana RINI, Dwi RUSTIONO, and Ratna WIDYASTUTI, Kompas Daily, Indonesia

Discussant: Up LIM, Yonsei Univ., Seoul, Korea

10:45–11:30

EMU and Regional Income Inequality in the European Union

Florence BOUVET, Sonoma State Univ., Rohnert Park, CA, USA

Discussant: James LAWRENCE, George Mason Univ.,
Fairfax, VA, USA

11:30–12:15

Persistence of Absolute Regional Wage Inequality in China

Mary DALY and Galina HALE, Federal Reserve Bank, San Francisco, USA

Discussant: Jack OSMAN, San Francisco State Univ., USA



Monday, 8:00 – 11:30 AM (Kona 1)

Paper Session 1C ~ Spatial Modeling

Chair: Waldo TOBLER, Univ. California, Santa Barbara, USA

8:00–8:45

Analyzing the Complexity of Knowledge-Based Spatial Economic Developments

Bernard COUTROT, UBS, Jean H.P. PAELINCK, George Mason Univ., Fairfax, VA, USA, and Alain SALLEZ, ESSEC, Paris, France

Discussant: Stuart SWEENEY, Univ. California, Santa Barbara, USA

8:45–9:30

Spectral Analysis for Irregularly Aggregated, Univariate Spatial Processes

Nicholas NAGLE, Univ. Colorado, Boulder, USA

Discussant: Bo ZHANG, National Drought Mitigation Center, Lincoln, NE, USA

9:30–10:00, Coffee Break

10:00–10:45

Murphy, Shleifer, and Vishny Model: Application to North Korea Spatial Re-Modeling

Jinhwan OH, Cornell Univ., Ithaca, NY, USA

Discussant: Tony H. GRUBESIC, Indiana Univ., Bloomington, USA

10:45–11:30

Impact of Polygon Geometry on the Identification of Economic Clusters

Joseph FRIZADO, Bruce W. SMITH, Michael C. CARROLL, Bowling Green State Univ., and Neil REID, Univ. Toledo, OH, USA

Discussant: T. Lynn RIGGS, U.S. Census Bureau, Washington, DC, USA



Monday, 8:00 AM – 12:15 PM (Kona 2)

Paper Session 1D ~

Entrepreneurship and the New Labor Force I

Chair: Friedrich M. ZIMMERMANN, Univ. Graz, Austria

8:00–8:45

The Learning Region

Roel RUTTEN and Frans BOEKEMA, Tilburg Univ., The Netherlands

Discussant: Susanne JANSCHITZ, Univ. Graz, Austria

8:45–9:30

Talent, Creativity, and Regional Economic Performance: The Case of China

Haifeng QIAN, George Mason Univ., Fairfax, VA, USA

Discussant: Bernard L. WEINSTEIN, Univ. North Texas, Denton, USA

9:30–10:00, Coffee Break

10:00–10:45

The 'Entrepreneurial Turn' and the Regional Economic Development Mission of Universities: A Normative View

Harvey A. GOLDSTEIN, Univ. North Carolina, Chapel Hill, USA

Discussant: Warren GILL, Simon Fraser Univ., Vancouver, B.C., Canada

10:45–11:30

Urban Regional Migrant Entrepreneurs: A Comparative Study on Their Socio-economic and Spatial Patterns of Performance

Mediha SAHIN, George Mason Univ., Peter NIJKAMP, Free University, Amsterdam, The Netherlands, and Roger R. STOUGH, George Mason Univ., Fairfax, VA, USA

Discussant: Jaewon LIM, Univ. Arizona, Tucson, USA

11:30–12:15

Network Central: Regional Positioning for Innovative Advantage

Edward BERGMAN and Gunther MAIER, Vienna Univ. of Economics and Business Administration, Austria

Discussant: Brian P. HOLLY, U.S. Census Bureau, Washington, DC, USA



Monday, 8:00 – 11:30 AM (Kona 3)

Paper Session 1E ~ Financing Development

Chair: Douglas E. MORRIS, Univ., New Hampshire, Durham, USA

8:00–8:45

Location Choice of Korean MNE's in East Asia: Escaping the Nutcracker

Ho Yeon KIM, Sungkyunkwan University, Seoul, Korea

Discussant: Young Ji PARK, Yonsei Univ., Seoul, Korea

8:45–9:30

Financial Accessibility and New Firm Formation

Mikaela BACKMAN, Jönköping International Business School, Sweden

Discussant: Breandán Ó HUALLACHÁIN, Arizona State Univ., Tempe, USA

9:30–10:00, Coffee Break

10:00–10:45

Analysing CFIB Banking Survey (2003) from an Atlantic Canadian Perspective

Pierre-Marcel DESJARDINS, Yves BOURGEOIS and Doug BRUCE, Univ. Moncton, New Brunswick, Canada,

Discussant: Jeremy GERST, Federal Reserve Bank, San Francisco, USA

10:45–11:30

Analysing Financial Sustainability of Estonia's Regions

Janno REILJAN and Peter FRIEDRICH, Univ. Tartu, Estonia

Discussant: Mário FORTUNA, Univ. Azores, Portugal

Monday's Program continues on Page 4...

Session Format and Etiquette

- Per WRSA custom, each paper is allocated 45 minutes of Program time, inclusive of discussion.
- Authors should plan on presentations of approximately 25–30 minutes.
- Discussants should prepare about 5–10 minutes of remarks, allowing at least 10 minutes for questions from, and open discussion with, session attendees.
- Participants: please arrive at your session 10 minutes early to make A/V preparations.
- At least one participant needs to bring a laptop.
- Chairs: please do not change the order of presentations listed in the Program.
- As a courtesy to the presenters, all participants are asked to stay for the entire session.



Monday, 8:00 AM – 12:15 PM (Kona 4)

Paper Session 1F ~ Tourism and Recreation I

Chair: Constantin MITRUT, Academy of Economic Studies,
Bucharest, Romania

8:00–8:45

Wild and Scenic Rivers: A Look at Impacts on Local Economies

John KEITH, Paul JAKUS, Jacoba LARSEN, Steve BURR, Doug REITER, and Jascha ZEITLIN, Utah State Univ., Logan, USA

Discussant: Juanita LIU, Univ. Hawaii, Manoa, USA

8:45–9:30

From Mountain Village to International Ski Resort: The Transformation of the Destination of Åre

Sara NORDIN, Mid-Sweden Univ., and Hans WESTLUND, Royal Institute of Technology, Stockholm, Sweden

Discussant: Antoine BAILLY, Univ. Genève, Switzerland

9:30–10:00, Coffee Break

10:00–10:45

Limits to Growth: A General Equilibrium Analysis of Tourism Demand and Regional Labor Migration

Denise Eby KONAN, Univ. Hawaii, Manoa, USA

Discussant: R. Garth TAYLOR, Univ. Idaho, Moscow, USA

10:45–11:30

Do Job, Age, and Place of Residence Matter for Gaming Activity? An Application of a Two-Step Tobit Procedure

Wuyang HU, Univ. Kentucky, Lexington, George W. BORDEN, and Thomas R. HARRIS, Univ. Nevada, Reno, USA

Discussant: Michael WENZ, Winona State Univ., MN, USA

11:30–12:15

Resident Attitudes towards Cruise Business in the Pacific Islands

Juanita LIU, Michelle CLARK, and Failautusi AVEGALIO, Univ. Hawaii, Manoa, USA

Discussant: Daniela CONSTANTIN, Academy of Economic Studies, Bucharest, Romania



Monday, 8:00 AM – 12:15 PM (Queen's 4)

Session 1G ~ Western States Economic Outlook I

Organizer and Chair: Keith SCHWER,
Univ. Nevada, Las Vegas, USA

California

Esmael ADIBI, Chapman Univ., Orange, CA, USA

Nevada

Keith SCHWER, Univ. Nevada, Las Vegas, USA

9:30–10:00, Coffee Break

Arizona

Timothy D. HOGAN, Arizona State Univ., Tempe, USA

Colorado

Richard WOBBEKIND, Univ. Colorado, Boulder, USA

Montana

Paul POLZIN, Univ. Montana, Missoula, USA



Monday, 8:00 AM – 12:15 PM (Kona 5)

W-2133 Session I

Convenor: Kelly CULLEN, Univ. New Hampshire,
Durham, USA

(Coffee Break, 9:30–10:00)



Monday, 12:15 PM – 1:30 PM

Lunch Break (On your own this day)



Monday, 1:30 – 5:00 PM (Kohala 1)

Paper Session 2A ~

W-2133/WRSA Joint Paper Session

Organizer: Kelly CULLEN, Univ. New Hampshire, Durham, USA

Chair: Dan MCCOLLUM, U.S. Forest Service, Rocky Mountain
Research Station, Ft. Collins, CO, USA

1:30–2:15

A Panel-Mixed Logit Analysis of Colorado Corn Farmers' Stated Preferences for Private-Public Irrigation System Attributes

Craig BOND, Colorado State Univ., Fort Collins, USA

Discussant: Roger VON HAEFEN, North Carolina State Univ., Raleigh, USA

2:15–3:00

A Hybrid Individual-Zonal Travel Cost Model for Estimating the Consumer Surplus of Golfing in Colorado

John LOOMIS, Omer TADJION, Philip WATSON, Josh WILSON, Steve DAVIES, and Dawn THILMANY, Colorado State Univ., Fort Collins, USA

Discussant: Robert HEARNE, North Dakota State Univ., Fargo, USA

3:00–3:30, Coffee Break

3:30–4:15

Selection Effects in Meta-Valuation Function Transfers

Randall ROSENBERGER, Oregon State Univ., Corvallis, and Robert J. JOHNSTON, Univ. Connecticut, Groton, USA

Discussant: John BERGSTROM, Univ. Georgia, Athens, USA

4:15–5:00

Economic Globalization and Resource Use: Do Growth, Investment, and Trade Encourage Water Use or Water Conservation?

John P. HOEHN and Kwami ADANU, Michigan State Univ., East Lansing, MI, USA

Discussant: Kimberly RAWLINS, Univ. Nevada, Reno, USA



Monday, 1:30 – 5:45 PM (Kohala 2)

Paper Session 2B ~ Locational Analysis

Chair: Antoine BAILLY, Univ. Genève, Switzerland

1:30–2:15

Where Size Matters: Illegal Drug Markets in Philadelphia

George RENGERT, Travis TANIGUCHI, and Eric MCCORD, Temple Univ., Philadelphia, USA

Discussant: Michael Olsson, Univ. Skövde, Sweden

2:15–3:00

Workplace Violence and Stress: The Case of Taxi Drivers

R. Keith SCHWER, Univ. Nevada, Las Vegas, USA, and Michel GRUN-RÉHOMME, Univ. Paris 2, France

Discussant: L. Michael FARRELL, Univ. Québec, Trois-Rivières, Canada

3:00–3:30, Coffee Break

3:30–4:15

Spatial Equity in Exposure to Risk: Sex Offender Residency

Tony H. GRUBESIC, Indiana Univ., Bloomington, and Alan T. MURRAY, Ohio State Univ., Columbus, USA

Discussant: Steven K. PETERSON, Washington State Univ., Pullman, USA

4:15–5:00

Heuristics in Facility Location: A Genetic Algorithm for Coverage Maximization

Daoqin TONG, Univ. Arizona, Tucson, Alan T. MURRAY, and Ningchuan XIAO, Ohio State Univ., Columbus, USA

Discussant: Richard L. CHURCH, Univ. California, Santa Barbara, USA

5:00–5:45

Green Activism: National Patterns of Environmental Group Membership

Russell J. DALTON, Univ. California, Irvine, USA

Discussant: Rachel S. FRANKLIN, Association of American Geographers, Washington, DC, USA



Monday, 1:30 – 5:00 PM (Kona 1)

Paper Session 2C ~ Tourism and Recreation II

Chair: Juanita LIU, Univ. Hawaii, Manoa, USA

1:30–2:15

The Spatial Evolution of Casino Gambling

Michael WENZ, Winona State Univ., MN, USA

Discussant: Denise Eby KONAN, Univ. Hawaii, Manoa, USA

2:15–3:00

Strategies for Cultural Tourism, Sustainability, and Regional Development: The Case of Romania

Constantin MITRUT and Daniela L. CONSTANTIN, Academy of Economics Studies, Bucharest, Romania

Discussant: Susan KALEITA, Univ. Arizona, Tucson, USA

3:00–3:30, Coffee Break

3:30–4:15

The Locational Value of a Recreational Site

R. Garth TAYLOR, Univ. Idaho, Moscow, John R. MCKEAN, AEI Economic Consultants, Donn JOHNSON, Quinnipiac Univ., Hamden, CT, USA

Discussant: Wuyang HU, Univ. Kentucky, Lexington, USA

4:15–5:00

The Economic Benefits of Recreation at Blue Mesa Reservoir

Steve PIPER, U.S. Bureau of Reclamation, Denver, CO, USA

Discussant: John KEITH, Utah State Univ., Logan, USA



Monday, 1:30 – 5:00 PM (Kona 2)

Paper Session 2D ~***Regional Disparities and Dynamics II***

Chair: Roel RUTTEN, Univ. Tilburg, The Netherlands

1:30–2:15

Growing U.S. Wage Inequality in the Context of Spatially Concentrated Economic Activity

James LAWRENCE, George Mason Univ., Fairfax, VA, USA

Discussant: Mary DALY, Federal Reserve Bank, San Francisco, USA



2:15–3:00

Regional Wage Differentials between the Capital and Non-Capital Regions in Korea: An Occupational Composition Approach

Jae Beum CHO, Sung-Chul CHO, Se-Young SUNG, and Up LIM, Yonsei Univ., Seoul, Korea

Discussant: Johan KLAESSON, Jönköping International Business School, Sweden

3:00–3:30, Coffee Break

3:30–4:15

Growth and Convergence in the Space Economy: Evidence from the United States

John I. CARRUTHERS and Michael K. HOLLAR, U.S.

Department of Housing and Urban Development, Washington, DC, and Gordon F. MULLIGAN, Univ. Arizona, Tucson, USA

Discussant: Florence BOUVET, Sonoma State Univ., Rohnert Park, CA, USA

4:15–5:00

New Economic Geography: A New Way of Understanding***Regional Wage Disparities in Europe***

Jesús LÓPEZ-RODRIGUEZ and Andrés FAÍÑA, Univ. A Coruña, Spain

Discussant: Luhur FAJAR, Kompas Daily, Indonesia



Monday, 1:30 – 5:45 PM (Kona 3)

Paper Session 2E ~***Entrepreneurship and the New Labor Force II***

Chair: Roger F. RIEFFLER, Univ. Nebraska, Lincoln, USA

1:30–2:15

Urban Economic Growth an Occupational Perspective: An***Empirical Application for a "Typical" American City***

Natalia V. OVCHINNIKOVA, St. Lawrence Univ., Canton, NY,

and Roger F. RIEFFLER, Univ. Nebraska, Lincoln, USA

Discussant: Ting ZHANG, George Mason Univ., Fairfax, VA, USA

2:15–3:00

The Role of Elderly Entrepreneurship in Metropolitan Economic Growth

Ting ZHANG, George Mason Univ., Fairfax, VA, USA

Discussant: C. Daniel VENCILL, San Francisco State Univ., USA

3:00–3:30, Coffee Break

3:30–4:15

Penetrating the Knowledge Filter in the Rust Belt

Zoltan ACS, George Mason Univ., Lawrence A. PLUMMER, Clemson Univ., SC, and Ryan SUTTER, George Mason Univ., Fairfax, VA, USA

Discussant: Urban GRÅSJÖ, Univ. West, Trollhättan, Sweden

4:15–5:00

A Study of the Spatial Risk-taking of Entrepreneurship from Examining the Location Pattern of Venture Business Starts in Korea

Junghoon KI, Myongji Univ., Korea

Discussant: Natalia V. OVCHINNOVA, St. Lawrence Univ., Canton, NY, USA

5:00–5:45

Multinational Enterprises and Innovation: Firm Level Evidence on Regional Spillover via R&D Collaboration

Hans LÖÖF, Royal Institute of Technology, Stockholm, Sweden

Discussant: Vera PAVLAKOVIC-KOICHI, Univ. Arizona, Tucson, USA

Monday's Program continues on Page 6...



Monday, 1:30 – 5:45 PM (Kona 4)

Paper Session 2F ~ Urban Issues and Policy

Chair: Andrew NARWOLD, Univ. San Diego, CA, USA

1:30–2:15

Subprime Mortgage Delinquency Rates

Mark DOMS, Fred FURLONG, and John KRAINER, Federal Reserve Bank, San Francisco, USA

Discussant: John QUIGLEY, Univ. California, Berkeley, USA

2:15–3:00

Do Smart Growth Programs Increase Housing Choice? Evidence from Maryland's Priority Funding Areas

Ralph B. MCLAUGHLIN, Univ. California, Irvine, USA

Discussant: Koichi MERA, Univ. Southern California, Los Angeles, USA

3:00–3:30, Coffee Break

3:30–4:15

Employment Center Hierarchy and Function: The Manifestation of Agglomeration in the Los Angeles Metropolitan Area

Genevieve GIULIANO and Christian REDFEARN, Univ. Southern California, Los Angeles, USA

Discussant: Jae Ik KIM, Keimyung Univ., Daegu, Korea

4:15–5:00

Valuing Diversity in San Diego Neighborhoods

Andrew NARWOLD, Univ. San Diego, CA, USA

Discussant: Steven RAPHAEL, Univ. California, Berkeley, USA

5:00–5:45

Regional Modeling in Planning and Development

Friedrich M. ZIMMERMANN and Susanne JANSCHITZ, Univ. Graz, Austria

Discussant: Laura HUNTOON, Univ. Arizona, Tucson, USA



Monday, 1:30 – 5:00 PM (Kona 5)

Paper Session 2G ~

Location Patterns of the New Economy

Chair: Frans BOEKEMA, Tilburg Univ., The Netherlands

1:30–2:15

Revisiting the Geography of the New Economy

William B. BEYERS, Univ. Washington, Seattle, USA

Discussant: Geoffrey J.D. HEWINGS, Univ. Illinois, Urbana-Champaign, USA

2:15–3:00

Regional Concentration and Change in Self-Employed Businesses in the U.S.

Audrey E. CLARKE, Economic Development Administration, James C. DAVIS, and Brian P. HOLLY, U.S. Census Bureau, Washington, DC, USA

Discussant: Thomas A. HUTTON, Univ. British Columbia, Vancouver, Canada

3:00–3:30, Coffee Break

3:30–4:15

What Does It Take to Become a Biotech Hot Spot?

Jun KOO and Jonghoon BAE, Korea Univ., Seoul

Discussant: Bruce WRIGHT, Univ. Arizona, Tucson, USA

4:15–5:00

Value-Added Agricultural Enterprises (VAAE) and County Economic Well-Being: an Empirical Investigation.

Anil RUPASINGHA, New Mexico State Univ., Las Cruces, USA

Discussant: Myoungsub CHOI, Seoul National Univ., Korea



Monday, 1:30 – 3:00 PM (Queen's 4)

Session 2H ~ Western States Economic Outlook II

Organizer: R. Keith SCHWER, Univ. Nevada, Las Vegas, USA

Chair: Timothy D. HOGAN, Arizona State Univ., Tempe, USA

Washington and Oregon

R. Pete PARCELLS, Whitman College, Walla Walla, WA, USA

Hawaii

Carl BONHAM, Univ. Hawaii, Manoa, USA

Idaho

Kaitlin COLEMAN, Whitman College, Walla Walla, WA, USA



Monday, 3:30 – 5:00 PM
(Water's Edge Boardroom)

WRSA Board Meeting

(By Invitation Only)

Convenor: David A. PLANE, Univ. Arizona, Tucson, USA



**The 47th Annual Meeting
Program Committee**

Chair:

David Plane

Cochairs:

Lay James Gibson

Susan Kaleita

Sandy Dall'erba

Daoqin Tong

Paper Reviewers:

Christopher Bitter

John Carruthers

Sandy Dall'erba

Lay James Gibson

Katharine Jacobs

Susan Kaleita

David Plane

Daoqin Tong

Session Organizers:

Kelly Cullen

Sandy Dall'erba

Tom Harris

Lee Huskey

Adam Rose

Keith Schwer

David "Tex" Taylor



Tuesday, February 19

7:45 AM – 12:15 PM (and 2:15 – 5:45 PM)

Registration (Kona Promenade)

8:00 AM – 12:15 PM

Six Concurrent Paper Sessions:

- 3A Technology and Development (Kohala 1)
- 3B Location Theory (Kohala 2)
- 3C Environment I (Kona 1)
- 3D Impact Analyses (Kona 2)
- 3E Transportation I (Kona 3)
- 3F Population and Settlement Dynamics (Kona 4)

8:00 AM – 12:15 PM

W-2133 Session III (Kona 5)

9:30 – 10:00 AM

Coffee Break (Lagoon Lanai)

12:30 – 2:15 PM

Annual Banquet Luncheon (Waterfront Ballroom)

2:15 – 5:45 PM

Registration Continues (Kona Promenade)

2:30 – 5:45 PM

Six Concurrent Paper Sessions:

- 4A Spatial Patterns and Hierarchies (Kohala 1)
- 4B Fiscal Policy and Public Goods I (Kohala 2)
- 4C Transportation II (Kona 1)
- 4D Impacts of Terrorism (Kona 2)
- 4E Industrial Location and Performance (Kona 3)
- 4F Urban Structure and Growth (Kona 4)

2:30 – 5:45 PM

W-2133 Session IV (Kona 5)

4:00 – 4:15 PM

Coffee Break (Kona Promenade)

6:00 – 7:30 PM

President's Reception (Lagoon Lanai)



Tuesday, 8:00 AM – 12:15 PM (Kohala 1)

Paper Session 3A ~ Technology and Development

Chair: Hans LÖÖF, Royal Institute of Technology, Stockholm, Sweden

8:00–8:45

Imports, R&D and Local Patent Production

Urban GRÅSJÖ, Univ. West, Trollhättan, Sweden

Discussant: Audrey E. CLARKE, U.S. Economic Development Administration, Washington, DC

8:45–9:30

The Economic Development Potential of Stem Cell Research: Texas as a Case Study

Bernard L. WEINSTEIN and Terry L. CLOWER, Univ. North Texas, Denton, USA

Discussant: Kingsley E. HAYNES, George Mason Univ., Fairfax, VA, USA

9:30–10:00, Coffee Break

10:00–10:45

Location of Financial Services

T. Lynn RIGGS, U.S. Census Bureau, Washington, DC

Discussant: William B. BEYERS, Univ. Washington, Seattle, USA

10:45–11:30

Translational Regional Science and Community Engagement: New Perspectives for Closing the High Tech-Community Gap

Lay J. GIBSON, Vera PAVLAKOVICH-KOCHI, Raphael P.

GRUENER, and Bruce A. WRIGHT, Univ. Arizona, Tucson, USA
Discussant: Harvey A. GOLDSTEIN, Univ. North Carolina, Chapel Hill, USA

11:30–12:15

Fundamentals of Regional Advantage: Evidence from Urban IT Centers

Mary DALY and Jeremy GERST, Federal Reserve Bank, San Francisco, USA

Discussant: Edward BERGMAN, Vienna Univ. Economics and Business, Austria



Tuesday, 8:00 AM – 12:15 PM (Kohala 2)

Paper Session 3B ~ Location Theory

Chair: Stein ØSTBYE, Univ. Tromsø, Norway

8:00–8:45

The Locational Implications of Management and Production Fragmentation

Carlos Eduardo Lobo e SILVA and Geoffrey J.D. HEWINGS, Univ. Illinois, Urbana-Champaign, USA

Discussant: Sergio REY, San Diego State Univ., CA, USA

8:45–9:30

Agglomeration Economies and the Migration of Human Capital

Woohyung LEE, Kyushu Institute of Technology, and Hosoe MORIKI, Kyushu Univ., Japan

Discussant: Euijune KIM, Seoul National Univ., Korea

9:30–10:00, Coffee Break

10:00–10:45

Should the PC be Considered a Technological Revolution?

City Level Evidence from 1980–2000

Paul BEAUDRY, Univ. British Columbia, Vancouver, Canada, Mark DOMS, Federal Reserve Bank of San Francisco, CA, and Ethan LEWIS, Dartmouth College, Hanover, NH, USA

Discussant: Hikaru OGAWA, Nagoya Univ., Japan

10:45–11:30

Scale vs. Scope Effects: The Influence of Knowledge Accessibility on Regional Export Flows

Martin ANDERSSON and Sara JOHANSSON, Royal Institute of Technology, Stockholm, Sweden

Discussant: Daisuke IKAZAKI, Kumamoto Gakuen Univ., Japan

11:30–12:15

Regional Policy Analysis in a Simple NEG Model with Vertical Linkages

Stein ØSTBYE, Univ. Tromsø, Norway

Discussant: Daisuke NAKAMURA, Univ. Illinois, Urbana-Champaign, USA

Tuesday's Program continues on Page 8...





Tuesday, 8:00 AM – 12:15 PM (Kona 1)

Paper Session 3C ~ Environment I

Chair: Eric THOR, Arizona State Univ., Tempe, USA

8:00–8:45

Environmental Tax Reform in Namibia: A Potential Approach to Reduce Rural Poverty?

Linda SAHLÉN, Umeå Univ., Sweden

Discussant: Craig BOND, Colorado State Univ., Fort Collins, USA

8:45–9:30

Saltwater Sport Fishing for Food or Income in the Northeastern U.S.: Statistical Estimates and Policy Implications

Scott STEINBACK, Kristy WALLMO, and Patricia CLAY, NOAA Fisheries, Woods Hole, MA, and Silver Spring, MD, USA

Discussant: Warren KRIESEL, Univ. Georgia, Athens, USA

9:30–10:00, Coffee Break

10:00–10:45

Economic and Energy Impacts from Participation in the Regional Greenhouse Gas Initiative: A Case Study of the State of Maryland

Matthias RUTH and Steven GABRIEL, Univ. Maryland; Karen PALMER, Dallas BURTRAW, and Anthony PAUL, Resources for the Future, Washington, DC; Yishu CHEN and Benjamin HOBBS, Johns Hopkins Univ., Baltimore, MD; Daraius IRANI and Jeffrey MICHAEL, Towson Univ., MD; Kim ROSS, Russell CONKLIN, and Julia MILLER, Univ. Maryland, College Park, USA

Discussant: Budy P. RESOSUDARMO, Australian National Univ., Canberra

10:45–11:30

Energy Efficiency in Seoul Metropolitan Area: An Application of Compact Index

Kichan NAM, Hong Sok KIM, and Jeasun LEE, Yonsei Univ., Seoul, Korea

Discussant: Thomas I. GUNTON, Simon Fraser Univ., Burnaby, B.C., Canada

11:30–12:15

Energy in a Resource-Based Regional Economy: A Dynamic General Equilibrium Analysis

Hodjat GHADIMI, West Virginia Univ., Morgantown, USA

Discussant: Henk FOLMER, Univ. Groningen, The Netherlands



Tuesday, 8:00 – 11:30 AM (Kona 2)

Paper Session 3D ~ Impact Analyses

Chair: David HOLLAND, Washington State Univ., Pullman, USA

8:00–8:45

Combining the National Interstate Economic Model (NEMO) with HAZUS: The Case of Hurricane Andrew

JiYoung PARK and JoongKoo CHO, Univ. Southern California, Los Angeles, USA

Discussant: Randall JACKSON, West Virginia Univ., Morgantown, USA

8:45–9:30

Reconciling National and Regional Estimates of the Effect of Immigration on U.S. Labor Markets: The Confounding Effects of Native Male Incarceration Trends

Steven RAPHAEL and Lucas RONCONI, Univ. California, Berkeley, USA

Discussant: Michael J. GREENWOOD, Univ. Colorado, Boulder, USA

9:30–10:00, Coffee Break

10:00–10:45

Spatial Impacts of Regional Production Factor Inputs on Manufacturing Value-Added in Korea

Myoungsub CHOI, Sunghun KIM, Youngjin WOO, and Euijune KIM, Seoul National Univ., Korea

Discussant: Dong GUO, Université de Bourgogne, France

10:45–11:30

Estimating Dynamic Impacts of Seafood Industry in Alaska

Chang K. SEUNG, National Marine Fisheries Service, Seattle, WA, USA

Discussant: Run YU, Univ. Hawaii, Manoa, USA



Tuesday, 8:00 AM – 12:15 PM (Kona 3)

Paper Session 3E ~ Transportation I

Chair: C.-H. Christine BAE, Univ. Washington, Seattle, USA

8:00–8:45

Impacts of 9/11 on Airport Passenger Density and Regional Travel

Garrett R. Beeler ASAY, Univ. Southern California, Los Angeles, and Jeffrey CLEMENS, Harvard Univ., Cambridge, MA, USA

Discussant: T. John KIM, Univ. Illinois, Urbana-Champaign, USA

8:45–9:30

Price Dynamics and Market Structure in Transportation: For-Hire Grain Trucking Along the Alberta-Saskatchewan Border

Andrew R. LAING, Carleton University, Ottawa, Ontario, and James F. NOLAN, Univ. Saskatchewan, Saskatoon, Canada

Discussant: Eungcheol KIM, Univ. Incheon, Korea

9:30–10:00, Coffee Break

10:00–10:45

Analysis on Factors Influencing the Severity of Bicyclist Injuries at Urban Intersections

Eungcheol KIM, Univ. Incheon, Korea, Jutack OH, Korea Transport Institute, Korea, Jungwook JUN, Virginia Department of Transportation, Richmond, USA, and Dohoon KIM, Univ. Incheon, Korea

Discussant: Donald SHOUP, Univ. California, Los Angeles, USA

10:45–11:30

Can Congestion Charging Support Sustainable Development of Metropolitan Areas? The Case of the Stockholm Trial on Congestion Charging

Lars LUNDQVIST, Royal Institute of Technology, Stockholm, Sweden

Discussant: Robin LINDSEY, Univ. Alberta, Edmonton, Canada

11:30–12:15

A Multivariate Poisson Model of Consumer Choice in a Multi-Airport Region

Andrew J. BUCK, Erwin A. BLACKSTONE, and Simon HAKIM, Temple Univ., Philadelphia, PA, USA

Discussant: Bumsoo LEE, Univ. Southern California, Los Angeles, USA

Thanks to Our Conference Sponsors!

Springer

(See advertisement, Page 21)

Routledge – Taylor & Francis Group

(See advertisement, Page 22)



Tuesday, 8:00 – 11:30 AM (Kona 4)

Paper Session 3F ~

Population and Settlement Dynamics

Chair: Richard L. MORRILL, Univ. Washington, Seattle, USA
8:00–8:45

**Mexican Migration and the U.S. - Mexico Development Gap:
Alternative Policy Approaches**

Joan B. ANDERSON, Univ. San Diego, CA, USA
Discussant: W. Mark BROWN, Statistics Canada, Ottawa,
Ontario, Canada

8:45–9:30

The Journey to Safety

Nancy LOZANO-GRACIA and Gianfranco PIRAS, Univ. Illinois,
Urbana-Champaign, Ana Maria IBÁÑEZ, Univ. Los Andes,
Bogotá, Colombia, and Geoffrey J.D. HEWINGS, Univ. Illinois,
Urbana-Champaign, USA

Discussant: Mikko MOILANEN, Univ. Tromsø, Norway
9:30–10:00, Coffee Break

10:00–10:45

Where Do 300-million Americans Live, Work – and Discover?

Peter GORDON and Harry W. RICHARDSON, Univ. Southern
California, Los Angeles, and Soojun KIM, Milken Institute, Santa
Monica, CA, USA

Discussant: John I. CARRUTHERS, U.S. Department of
Housing and Urban Development, Washington, DC, USA

10:45–11:30

**Family and Sex-specific U.S. Immigration from Europe, 1870–
1910: A Panel Data Study of Rates and Composition**

Michael J. GREENWOOD, Univ. Colorado, Boulder, USA
Discussant: R. Keith SCHWER, Univ. Nevada, Las Vegas,
USA



Tuesday, 8:00 AM – 12:15 PM (Kona 5)

W-2133 Session III

Convenor: Kelly CULLEN, Univ. New Hampshire, Durham, USA
(Coffee Break, 9:30–10:00)



Tuesday, 12:30 – 2:15 PM
(Water's Edge Ballroom)

Annual Banquet Luncheon

For all registered participants; tickets required.

Chair: Geoffrey J.D. HEWINGS
48th WRSA President (2007–2008)

Announcements:

David A. PLANE, WRSA Executive Secretary

The 12th Annual Springer-Verlag Prize

Presented by:

Roger R. STOUGH, Börje JOHANSSON, and Euijune KIM,
Co-editors, *The Annals of Regional Science*

The 22nd Charles M. Tiebout Prize

Presented by:

Juanita LIU, 45th WRSA President (2004–2005)
on behalf of the 2007–2008 Reading Committee



**Winners of the Charles M. Tiebout Prize
in Regional Science, 1987–2007**

*This is the 22nd consecutive Annual Meeting at which the
Charles M. Tiebout Prize will be presented. The Prize is
awarded to the best paper submitted by a graduate student.
The winner receives \$1,000 to help defray the costs of
attending the conference.*

*The Prize honors the memory of Charlie Tiebout for his
outstanding contributions to regional science before his
untimely death in 1968. In addition to his scholarly
achievements, Charlie Tiebout brought wit, irreverence, and
goodwill to everything he did and everyone he knew. He was
particularly good in advising, counseling, and encouraging
graduate students: thus, it is fitting that the WRSA's annual
prize bearing his name be awarded to the best graduate
student paper in regional science.*

- | | | |
|------------------|------|--|
| 21 st | 2007 | Michael Wenz , Winona State University |
| 20 th | 2006 | Rocco R. Huang , The University of Amsterdam,
The Netherlands |
| 19 th | 2005 | Shaoming Chen , George Mason University |
| 18 th | 2004 | Sandy Dall'Erba , Université de Pau, France |
| 17 th | 2003 | Co-winners:
Chokri Dridi , University of Illinois, Urbana-
Champaign
Bhanu Yerra , University of Minnesota |
| 16 th | 2002 | Tracy Gordon , University of California, Berkeley |
| 15 th | 2001 | Brian Mikelbank , Ohio State University |
| 14 th | 2000 | Arno van der Vlist , Free University of Amsterdam |
| 13 th | 1999 | Kara Kockelman , University of Texas, Austin |
| 12 th | 1998 | Alexander C. Vias , University of Arizona |
| 11 th | 1997 | Co-winners:
Seong Woo Lee , University of Southern California
Woo Suk Zhee , University of Southern California |
| 10 th | 1996 | Steven P. Raphael , University of California,
Berkeley |
| 9 th | 1995 | David M. Levinson , University of California,
Berkeley |
| 8 th | 1994 | Ricardo Gazel , University of Illinois |
| 7 th | 1993 | Co-winners:
Hsin-Ping Chen , University of California, Irvine
Alastair McFarlane , University of Michigan |
| 6 th | 1992 | Henry Buist , University of Pennsylvania |
| 5 th | 1991 | Katherine M. O'Regan , University of California,
Berkeley |
| 4 th | 1990 | T. Wong , University of Manitoba |
| 3 rd | 1989 | Scott Campbell , University of California, Berkeley |
| 2 nd | 1988 | Stephen J. Appold , University of North Carolina |
| 1 st | 1987 | Timothy J. Fik , University of Arizona |



Tuesday, 2:30 – 5:00 PM (Kohala 1)

Paper Session 4A ~ Spatial Patterns and Hierarchies

Chair: Kenneth E. COREY, Michigan State Univ.,
East Lansing, USA

2:30–3:15

Visualization of Regional Science Concepts: How Many Words is a Graphic Worth? An Introduction Using Seven Examples

Waldo TOBLER, Univ. California, Santa Barbara, USA

Discussant: Alan MURRAY, Ohio State Univ., Columbus,
USA

3:15–4:00

Urban Hierarchies and City Growth in the Balkans

Alexandra SCHAFFAR and Michel DIMOU, Univ. Reunion
Island, France

Discussant: Neil REID, Univ. Toledo, OH, USA

4:00–4:15, Coffee Break

4:15–5:00

The Spatial Distribution of Psychological Harassment in Hierarchical Management Models

L. Michael FARRELL and G.R. MARCIL, Univ. Québec à Trois-
Rivières, Canada

Discussant: George RENGERT, Temple Univ., Philadelphia,
USA



Tuesday, 2:30 – 5:45 PM (Kohala 2)

Paper Session 4B ~ Fiscal Policy and Public Goods I

Chair: Suho BAE, San Francisco State Univ., USA

2:30–3:15

Suburban Social Distance and Public Policy in a Canadian Metropolis

James LIGHTBODY and Jay MAKARENKO, Univ. Alberta,
Edmonton, Canada

Discussant: David M. BRASINGTON, Louisiana State Univ.,
Baton Rouge, USA

3:15–4:00

Equalization Transfers, Fiscal Decentralization, and Economic Growth

Hikaru OGAWA and Sayaka YAKITA, Nagoya Univ., Japan

Discussant: Daniel J. WILSON, Federal Reserve Bank, San
Francisco, USA

4:00–4:15, Coffee Break

4:15–5:00

Valuing Access to Water: A Spatial Hedonic Approach Applied to Indian Cities

Luc ANSELIN and Nancy LOZANO-GRACIA, Arizona State
Univ., Tempe, Uwe DEICHMANN and Somik LALL, World
Bank, Washington, DC, USA

Discussant: Nicholas NAGLE, Univ. Colorado, Boulder, USA

5:00–5:45

An Empirical Test of Migration and Fiscal Externality: Swedish Case

Tomoya IDA, Oita Univ., Japan, and Mats WILHELMSSON,
Royal Institute of Technology, Stockholm, Sweden

Discussant: R. Pete PARCELLS, Whitman College, Walla
Walla, WA, USA



Tuesday, 2:30 – 5:45 PM (Kona 1)

Paper Session 4C ~ Transportation II

Chair: Andrew J. BUCK, Temple Univ., Philadelphia, USA

2:30–3:15

Another Outcome of Household Sorting: Traffic Congestion

Alison F. DAVIS, Univ. Kentucky, Lexington, USA

Discussant: Lars LUNDQVIST, Royal Institute of
Technology, Stockholm, Sweden

3:15–4:00

Value of Time in a Dynamic Microeconomic Framework: Theory and Example from Stockholm Congestion Charges

Anders KARLSTRÖM, Royal Institute of Technology, Stockholm,
Sweden

Discussant: Eunha JUN, Seoul National Univ., Korea

4:00–4:15, Coffee Break

4:15–5:00

Prospects for Urban Road Pricing in Canada

Robin LINDSEY, Univ. Alberta, Edmonton, Canada

Discussant: James F. NOLAN, Univ. Saskatchewan,
Saskatoon, Canada

5:00–5:45

A Framework for Modeling Rail Transport Vulnerability

Steven K. PETERSON, Washington State Univ., Pullman, and

Richard L. CHURCH, Univ. California, Santa Barbara, USA

Discussant: Doaqin TONG, Univ. Arizona, Tucson, USA



Tuesday, 2:30 – 5:45 PM (Kona 2)

Paper Session 4D ~ Impacts of Terrorism

Organizer and Chair: Adam ROSE, Univ. Southern California,
Los Angeles, USA

2:30–3:15

Pre-9/11 and Post-9/11 Customer Service Outcomes at U.S.

Airports for International Travelers to the U.S.

Bryan ROBERTS, U.S. Department of Homeland Security

Discussant: Mary P. VENCILL, Berkeley Policy Associates,
Oakland, CA, USA

3:15–4:00

Macroeconomic Impacts of Shutting Down the U.S. Borders

in Response to a Security of Health Threat

Adam ROSE, Garrett R.B. ASAY, and Dan WEI, Univ. Southern
California, Los Angeles, and Billy LEUNG, Regional Econometric
Models, Inc., Amherst, MA, USA

Discussant: Stephen HORA, Univ. Hawaii, Hilo, USA

4:00–4:15, Coffee Break

4:15–5:00

The Elicitation of Uncertainties over Split Fractions:

An Application to Terrorism

Stephen HORA, Univ. Hawaii, Hilo, USA

Discussant: C. Daniel VENCILL, San Francisco State Univ.,
USA

5:00–5:45

The Economic Impacts of a Foot and Mouth Disease Outbreak:

A Computable General Equilibrium Analysis

Adam ROSE, Univ. Southern California, Gbadebo OLADOSU,

Oak Ridge National Laboratory, TN, and Bumsoo LEE, Univ.

Southern California, Los Angeles, USA

Discussant: Bryan ROBERTS, U.S. Department of Homeland
Security



Tuesday, 2:30 – 4:00 PM (Kona 3)

Paper Session 4E ~

Industrial Location and Performance

Chair: Lay J. GIBSON, Univ. Arizona, Tucson, USA

2:30–3:15

Intraurban Industrial Location under Institutional and Accessibility Constraints: An Empirical Approach

Stuart H. SWEENEY, Univ. California, Santa Barbara, and Nicholas NAGLE, Univ. Colorado, Boulder, USA

Discussant: Roger F. RIEFLER, Univ. Nebraska, Lincoln, USA

3:15–4:00

Service Industries, Global City Formation, and New Policy Discourses within the Asian-Pacific

Thomas A. HUTTON, Univ. British Columbia, Vancouver, Canada

Discussant: Michael A. MARQUEZ, Univ. Extremadura, Spain



Tuesday, 2:30 – 4:00 PM (Kona 4)

Paper Session 4F ~ Urban Structure and Growth

Chair: André Matos MAGALHÃES, Univ. Pernambuco, Recife, Brazil

2:30–3:15

Urban Resurgence

Mohammad ARZAGHI, American Univ. Sharjah, United Arab Emirates, and James C. DAVIS, U.S. Census Bureau, Washington, DC, USA

Discussant: Zoltan ACS, George Mason Univ., Fairfax, VA, USA

3:15–4:00

Understanding Economic Growth Factors for Smaller US Cities

Kimberly VACHAL, North Dakota State Univ., Fargo, and Kenneth BUTTON, George Mason Univ., Fairfax, VA, USA

Discussant: Terry C. CLOWER, Univ. N. Texas, Denton, USA



Tuesday, 2:30 – 5:45 PM (Kona 5)

W-2133 Session IV

Convenor: Kelly CULLEN, Univ. New Hampshire, Durham, USA
(Coffee Break, 4:00–4:15)



Tuesday, 6:00–7:30 PM
(Lagoon Lanai)

President's Reception

For all participants and accompanying persons:
Everyone welcome!

Hosted by: T. John KIM, WRSA President (2008–2009)

**Western Regional Science Association
Board and Officers**



Officers for the 2007-2008 Year

President:

Geoffrey J. D. Hewings, University of Illinois, Urbana-Champaign

President-Elect:

T. John Kim, University of Illinois, Urbana-Champaign

Vice President:

David Holland, Washington State University

Immediate Past President:

Jack Osman, San Francisco State University

Executive Secretary:

David Plane, University of Arizona

Board of Directors

Chang-Hee Christine Bae, University of Washington

Roger Bolton, Williams College

Warren Gill, Simon Fraser University

Peter Gordon, University of Southern California

Timothy Hogan, Arizona State University

Brian Holly, U.S. Bureau of the Census

Randall Jackson, West Virginia University

Alan Murray, Ohio State University

K. Bruce Newbold, McMaster University

Sergio Rey, San Diego State University

Matthias Ruth, University of Maryland

Keith Schwer, University of Nevada, Las Vegas

Robert Stimson, University of Queensland, Australia

Brigitte Waldorf, Purdue University

Hans Westlund, Swedish Inst. for Growth Policy Studies

Fellows of the WRSA

Martin Beckmann, Brown University

Arthur Getis, San Diego State University

Lay James Gibson, University of Arizona

Michael Greenwood, Colorado University

Kingsley Haynes, George Mason University

Charles Leven, Washington University, St. Louis

Frank Mittelbach, University of California, Los Angeles

Robert Monahan, Western Washington University

Jean Paelinck, Erasmus University

Anthony Pascal, The Rand Corporation

John Quigley, University of California, Berkeley

WRSA PRSCO Councilors

Lay James Gibson

David Plane

John Quigley

Roger Stough

WRSA's NARSC Councilor

David Plane

WRSA's Executive Assistant

Susan Kaleita



Wednesday, February 20

7:45 AM – 12:15 PM

Registration (Kona Promenade)

8:00 AM – 12:15 PM

Six Concurrent Paper Sessions:

- 5A** Papers in Honor of Geoffrey Hewings I (Kohala 1)
- 5B** Urban Spatial Structure (Kohala 2)
- 5C** Environment II (Kona 1)
- 5D** Remote Regions (Kona 2)
- 5E** Migration and Spatial Demographics (Kona 3)
- 5F** Urban Travel Behavior (Kona 4)

8:00 AM – 12:15 PM

W-1192 Business Meeting (Kona 5)

9:30 – 10:00 AM

Coffee Break (Lagoon Lanai)

12:15 – 1:30 PM

Lunch Break (On your own this day)

1:15 – 5:45 PM

Registration Continues (Kona Promenade)

1:30 – 5:45 PM

Seven Concurrent Paper Sessions:

- 6A** W1192/WRSA Joint Session (Kohala 1)
- 6B** Fiscal Policy and Public Goods II (Kohala 2)
- 6C** Globalization and Trade (Kona 1)
- 6D** Regional Development: Planning & Policy (Kona 2)
- 6E** Environmental Management (Kona 3)
- 6F** Labor Markets (Kona 4)
- 6G** Papers in Honor of Geoff Hewings II (Kona 5)

3:00 – 3:30 PM

Coffee Break (Lagoon Lanai)

5:45 **End of Conference**



Wednesday, 8:00 AM – 12:15 PM (Kohala 1)

Paper Session 5A ~

Papers in Honor of Geoff Hewings I

Organizer: Sandy DALL'ERBA, Univ. Arizona, Tucson, USA

Chair: Randall JACKSON, West Virginia Univ., Morgantown, USA

8:00–8:45

Intrametropolitan Manufacturing Location and Urban Spatial Structure: An Analysis of Phoenix's Industrial Establishments

Breandán Ó HUALLACHÁIN, Arizona State Univ., Tempe, and Timothy F. LESLIE, George Mason Univ., Fairfax, VA, USA

Discussant: Martin ANDERSSON, Jönköping International Business School, Sweden

8:45–9:30

A Spatial Model of Housing Demand for the City of Recife, Brazil

Rubens Alves DANTAS, André Matos MAGALHÃES and José Raimundo de OLIVEIRA VERGOLINO, Univ. Pernambuco, Recife, Brazil

Discussant: Ralph B. MCLAUGHLIN, Univ. California, Irvine, USA

9:30–10:00, *Coffee Break*

10:00–10:45

Meta Analysis of Regional Population with Agglomeration Economies

Euijune KIM and Ahyoung KIM, Seoul National Univ., Korea

Discussant: Simonetta LONGHI, Univ. Essex, Colchester, UK

10:45–11:30

Measuring the Impact of Personal and Corporate Income Tax Cuts on a Small Island Open Economy

Ali BAYAR, Mário FORTUNA, Cristina MOHORA, Masudi OPESE, and Suat SISIK, Univ. Azores, Portugal

Discussant: Chang K. SEUNG, National Marine Fisheries Service, Seattle, WA, USA

11:30–12:15

Incorporating Sectoral Structure into Shift-Share Analysis

Geoffrey G.D. HEWINGS, Univ. Illinois, Urbana-Champaign, USA, Miguel A. MARQUEZ and J. RAMAJO, Univ. Extremadura, Spain

Discussant: Sandy DALL'ERBA, Univ. Arizona, Tucson, USA



Wednesday, 8:00 – 11:30 AM (Kohala 2)

Paper Session 5B ~ Urban Spatial Structure

Chair: Warren GILL, Simon Fraser Univ., Vancouver, B.C., Canada

8:00–8:45

Ad-hoc Techniques in Spatially Explicit Models of Land Use (Almost) Without an Apology

Alessandro DE PINTO, Univ. Redlands, CA, and Gerald C. NELSON, Univ. Illinois, Urbana-Champaign, USA

Discussant: Genevieve GIULIANO, Univ. Southern California, Los Angeles, USA

8:45–9:30

Land Assembly for Urban Redevelopment: Graduated Density Zoning

Donald SHOUP, Univ. California, Los Angeles, USA

Discussant: Laura HUNTOON, Univ. Arizona, Tucson, USA

9:30–10:00, *Coffee Break*

10:00–10:45

The Urban Growth and Spatial Change of Employment Distribution: Clustering, Dispersion and Generalized Dispersion – The Case of Seoul Metropolitan Area, Korea, 2000–2005

Jae Ik KIM, Chang-Hwan YEO, and Jin-Hwi KWON, Keimyung Univ., Daegu, Korea

Discussant: Bruce W. SMITH, Bowling Green State Univ., OH, USA

10:45–11:30

Accessibility and Residential Land Values: Some Tests with New Measures

Genevieve GIULIANO, Peter GORDON, Qisheng PAN, and JiYoung PARK, Univ. Southern California, Los Angeles, USA

Discussant: In Hye CHOI, Yonsei Univ., Seoul, Korea



Wednesday, 8:00 AM – 12:15 PM (Kona 1)
Paper Session 5C ~ Environment II

Chair: Amitrajeet BATASYAL, Rochester Institute of Technology, NY, USA

8:00–8:45

Greenhouse Gas Emissions and Economic Activities in Hawai'i: Household and Visitor Expenditure Analysis

Denise Eby KONAN, Univ. Hawaii, Manoa, and Hing Ling CHAN, SMS Research, Honolulu, HI, USA

Discussant: John LOOMIS, Colorado State Univ., Fort Collins, USA

8:45–9:30

Are There Incentives for Growing Green? Evidence from the Coastal Marshlands of Georgia

Warren KRIESEL and Jeff MULLEN, Univ. Georgia, Athens, USA

Discussant: Linda SAHLÉN, Umeå Univ., Sweden

9:30–10:00, Coffee Break

10:00–10:45

The Impact of Innovation on a Polluting Firm's Regulation Driven Decision of Upgrade Its Capital Stock

Amitrajeet BATASYAL, Rochester Institute of Technology, NY, USA, and Peter NIJKAMP, Free Univ., Amsterdam, The Netherlands

Discussant: Hodjat GHADIMI, West Virginia Univ., Morgantown, USA

10:45–11:30

On the Distributional Effect of Carbon Tax in Developing Countries: The Case of Indonesia

Arief Anshory YUSUF and Budy P. RESOSUDARMO, Australian National Univ., Canberra, Australia

Discussant: Matthias RUTH, Univ. Maryland, College Park, USA

11:30–12:15

Optimal Environmental and Industrial Policies and Imperfect Agglomeration Effects

Daisuke IKAZAKI, Kumamoto Gakuen Univ., and Tohru NAITO, Koshiro Public Univ. of Economics, Japan

Discussant: Amitrajeet BATASYAL, Rochester Institute of Technology, NY, USA



Wednesday, 8:00 AM – 12:15 PM (Kona 2)
Paper Session 5D ~ Remote Regions:

Politics and Institutional Change in the North

Organizer: Lee HUSKEY, Univ. Alaska, Anchorage, USA

Chair: Greg PROTASEL, Univ. Alaska, Anchorage, USA

8:00–8:45

States Rights and Civil Rights: The Southern Strategy to Stop Alaskan Statehood

Terrence COLE, Univ. Alaska, Fairbanks, USA

Discussant: Helen FAST, Univ. Manitoba, Winnipeg, Canada

8:45–9:30

The Federal No-Bid Contract Snowball: The Growth of Alaska Native Regional Corporations Under Special Provisions of the Small Business Administration's 8(a) Program

Greg PROTASEL, Univ. Alaska, Anchorage, USA

Discussant: Doug JONES, Ohio State Univ., Columbus, USA

9:30–10:00, Coffee Break

10:00–10:45

Canada's Oceans Act Leads to New Governance Arrangements in the Beaufort Sea: Are We on the Right Path?

Helen FAST, Univ. Manitoba, Winnipeg, and Michelle SCHLAG, Fisheries and Oceans, Canada

Discussant: David C. NATCHER, Univ. Saskatchewan, Saskatoon, Canada

10:45–11:30

Gender, Natural Resources, and Public Policy in the Canadian North

David C. NATCHER, Univ. Saskatchewan, Saskatoon, Canada

Discussant: Greg PROTASEL, Univ. Alaska, Anchorage, USA

11:30–12:15

A Policy Retrospective: What We Thought We Were Doing (Alaska 1965–1972)

Doug JONES, Ohio State Univ., Columbus, USA

Discussant: Terrence COLE, Univ. Alaska, Fairbanks, USA



Wednesday, 8:00 AM – 12:15 PM (Kona 3)
Paper Session 5E ~

Migration and Spatial Demographics

Chair: Andrei ROGERS, Univ. Colorado, Boulder, USA

8:00–8:45

Testing the Convergence of Headship Rates: Case of Southern California

Simon CHOI, Southern California Association of Governments, Los Angeles, USA

Discussant: Timothy D. HOGAN, Arizona State Univ., Tempe, USA

8:45–9:30

Testing a Suburban-to-Urban Migration Hypothesis: A Study on Intra-regional Residential Movement of the Elderly

Sungyop KIM, Univ. Missouri, Kansas City, USA

Discussant: David A. PLANE, Univ. Arizona, Tucson, USA

9:30–10:00, Coffee Break

10:00–10:45

Race, Ethnicity, and Residential Intermixing in U.S. MSAs

Lawrence A. BROWN and Madhuri SHARMA, Ohio State Univ., Columbus, USA

Discussant: Richard L. MORRILL, Univ. Washington, Seattle, USA

10:45–11:30

In Situ versus Migratory Human Capital Growth Across Canadian Cities

Desmond BECKSTEAD and W. Mark BROWN, Statistics Canada, Ottawa, and K. Bruce NEWBOLD, McMaster Univ., Hamilton, Ontario, Canada

Discussant: Mats WILHELMSSON, Royal Institute of Technology, Stockholm, Sweden

11:30–12:15

Repairing the Migration Data Reported by the American Community Survey

Andrei ROGERS, Bryan JONES, and Wanran MA, Univ. Colorado, Boulder, USA

Discussant: Simon CHOI, Southern California Association of Governments, Los Angeles, USA

Wednesday's Program continues on Page 14...



Wednesday, 8:00 – 10:45 AM (Kona 4)

Paper Session 5F ~ Urban Travel Behavior

Chair: T. John KIM, Univ. Illinois, Urbana-Champaign, USA

8:00–8:45

UGA's and Regional Centers and Their Impacts on Travel Behavior in the Puget Sound, Washington

C.-H. Christine BAE and Alon BASSOK, Univ. Washington, Seattle, USA

Discussant: Garrett R.B. ASAY, Univ. Southern California, Los Angeles, USA

8:45–9:30

The Effects of Commuting Time on Residential Relocation for Dual-Earner Households in Korea, 1990–2000

Eunha JUN, Seoul National University, Korea

Discussant: Anders KARLSTRÖM, Royal Institute of Technology, Stockholm, Sweden

9:30–10:00, Coffee Break

10:00–10:45

Neighborhood Attributes and Commuting Behavior: Transit Choice

Bumsoo LEE, Peter GORDON, James E. MOORE II, and Harry W. RICHARDSON, Univ. Southern California, Los Angeles, USA

Discussant: Alison F. DAVIS, Univ. Kentucky, Lexington, USA



Wednesday, 8:00 AM – 12:15 PM (Kona 5)

W-1192 Business Meeting

Convenor: David T. TAYLOR, Univ. Wyoming, Laramie, USA

(Coffee Break, 9:30–10:00)

Wednesday, 12:15 PM – 1:30 PM

Lunch Break (On your own this day)



Wednesday, 1:30 – 5:45 PM (Kohala 1)

Paper Session 6A ~ W-1192/WRSA Joint Session:

Public and Private Rangelands and Their Impacts on Western Economies

Organizer and Chair: David T. TAYLOR, Univ. Wyoming, Laramie, USA

1:30–2:15

Rangeland and Management Interactions: Relationships between Socio-Economic and Ecological Processes in Rangeland Landscapes

Rhonda SKAGGS and Brandon BESTELMEYER, New Mexico State Univ., Las Cruces, USA

Discussant: Neil RIMBEY, Univ. Idaho, Moscow, USA

2:15–3:00

Small Feet, Big Tracks: The Potential Economic Effects of Critical Habitat Designation on the Economy of Southeastern Wyoming

Thomas K. FOULKE, David T. TAYLOR, and Roger H. COUPAL, Univ. Wyoming, Laramie, USA

Discussant: Thomas R. HARRIS, Univ. Nevada, Reno, USA

3:00–3:30, Coffee Break

3:30–4:15

Applications of Regional Impacts of Alternative Public Land Grazing Policies: Initial Results from an Integrated Linear Programming Social Accounting Matrix Model

Jonathan ALEVY, Elizabeth FADALI, and Thomas R. HARRIS, Univ. Nevada, Reno, USA

Discussant: Wuyang HU, Univ. Kentucky, Lexington, USA

4:15–5:00

Ranch and Grazing Permit Values in New Mexico and the Great Basin: Similarities, Differences, and Policy Implications

Neil RIMBEY, Univ. Idaho, Moscow, L. Allen TORELL, New Mexico State Univ., Las Cruces, John TANAKA, Oregon State Univ., Union, and Dan MCCOLLUM, US Forest Service, Rocky Mountain Research Station, USA

Discussant: Rhonda SKAGGS, New Mexico State Univ., Las Cruces, USA

5:00–5:45

New Rangeland Residents in Wyoming: A Survey of Exurban Landowners

Rachel D. MEALOR, Univ. Wyoming, Paul J. MEIMAN, Colorado State Univ., Fort Collins; David T. TAYLOR, Jennifer S. JONES, and Ann L. HILD, Univ. Wyoming, Laramie, USA

Discussant: Thomas K. FOULKE, Univ. Wyoming, Laramie, USA



Wednesday, 1:30 – 5:00 PM (Kohala 2)

Paper Session 6B ~

Fiscal Policy and Public Goods II

Chair: Paul E. POLZIN, Univ. Montana, Missoula, USA

1:30–2:15

Tax Competition and Capital Mobility: Evidence from the U.S. States

Robert S. CHIRINKO, Univ. Illinois, Chicago, and Daniel J. WILSON, Federal Reserve Bank, San Francisco, USA

Discussant: Tamoya IDA, Oita Univ., Japan

2:15–3:00

School Choice: Supporters and Opponents

David M. BRASINGTON, Louisiana State Univ., Baton Rouge, and Diane HITE, Auburn Univ., SC, USA

Discussant: Lena C. BIRKELÖF, Umeå Univ., Sweden

3:00–3:30, Coffee Break

3:30–4:15

Eliciting Willingness to Pay for Piped Water Service from Self-Reported Rent Appraisals in Indonesia: A SEM Autoregressive Panel Approach

Yusep SUPARMAN, Padjadjaran Univ., Indonesia, Henk FOLMER, Groningen Univ., The Netherlands, Han OUD, Radboud Univ. Nijmegen, The Netherlands, and Budy P. RESOSUDARMO, Australian National Univ., Canberra, Australia

Discussant: Nancy LOZANO-GRACIA, Arizona State Univ., Tempe, USA

4:15–5:00

Institutional Factors Affecting Prices of Wastewater Services

Suho BAE and Sheldon GEN, San Francisco State Univ., CA, USA

Discussant: Steve PIPER, U.S. Bureau of Reclamation, Denver, CO, USA





Wednesday, 1:30 – 4:15 PM (Kona 1)

Paper Session 6C ~ Globalization and Trade

Chair: Ho Yeon KIM, Sung Kyunkwan Univ., Seoul, Korea

1:30–2:15

The Economic Effects of China-Korea-Japan Economic Cooperation

Young Ji PARK, In Hye CHOI, and Kabsung KIM, Yonsei Univ., Seoul, Korea

Discussant: Jess BROWNING, Univ. Washington, Seattle, USA

2:15–3:00

Hawaii's Comparative Advantage Trends of Selected Agricultural Products in the U.S. Mainland Market

Run YU, Univ. Hawaii, Manoa, JunNing CAI, Central Univ. Finance and Economics, Beijing, China, and PingSun LEUNG, Univ. Hawaii, Manoa, USA

Discussant: David HOLLAND, Washington State Univ., Pullman, USA

3:00–3:30, Coffee Break

3:30–4:15

Socio-Economic Issues in Global Trade

Jess BROWNING, Univ. Washington, Seattle, USA

Discussant: Mikaela BACKMAN, Jököping International Business School, Sweden



Wednesday, 1:30 – 5:00 PM (Kona 2)

Paper Session 6D ~

Regional Development: Planning and Policy

Chair: Pierre-Marcel DESJARDINS, Univ. Moncton, New Brunswick, Canada

1:30–2:15

Linking Market Valued Community Skill Profiles with Corporate Outsourced Functions to Identify Financially Attractive Rural Sourcing Targets

Douglas E. MORRIS and Lyndon E. GOODRIDGE, Univ. New Hampshire, Durham, USA

Discussant: Junghoon KI, Myongji Univ., Korea

2:15–3:00

Toward Community Based Community Development

Michael C. CARROLL, Bowling Green State Univ., OH, and James Ronald STANFIELD, Colorado State Univ., Fort Collins, USA

Discussant: Janno REILJAN, Univ. Tartu, Estonia

3:00–3:30, Coffee Break

3:30–4:15

"Great Lakes Cities, Michigan's Great Places for Global Business and Investment": Toward Strategic Planning Practice to Enable Michigan's Urban Core Cities to Compete for and Attract Global Business and Investment to metroMichigan's Core City-Regions

Kenneth E. COREY and Mark I. WILSON, Michigan State Univ., East Lansing, USA

Discussant: Mary P. VENCILL, Berkeley Policy Associates, Oakland, CA, USA

4:15–5:00

Modeling Business Interruption Losses Period Applying the HAZUS

JoongKoo CHO and JiYoung PARK, Univ. Southern California, Los Angeles, USA

Discussant: Xinyue YE, San Diego State Univ., CA, USA



Wednesday, 1:30 – 4:15 PM (Kona 3)

Paper Session 6E ~ Environmental Management

Chair: Michel DIMOU, Univ. Reunion Island, France

1:30–2:15

Rural Regional Public Finance Issues: Reducing the Cost of Conflicts and Increasing Regional Use of Rural Mediation Centers

Eric THOR and Shamim SULTANA, Arizona State Univ., Tempe, USA

Discussant: James LIGHTBODY, Univ. Alberta, Edmonton, Canada

2:15–3:00

The Potential of Agent Based Modeling for Improving the Economic Efficiency of Adaptive Natural Resource Management

John LOOMIS and Craig BOND, Colorado State Univ., Fort Collins, and David HARPMAN, U.S. Bureau of Reclamation, Denver, CO, USA

Discussant: Kristy WALLMO, NOAA Fisheries, Silver Spring, MD, USA

3:00–3:30, Coffee Break

3:30–4:15

A New Model for Sustainable Development: A Case Study of the Great Bear Rainforest Regional Land Use Plan

Gordon J.A. MCGEE, Drea CULLEN, Thomas I. GUNTON, and J.C. DAY, Simon Fraser Univ., Burnaby, B.C., Canada

Discussant: Eric THOR, Arizona State Univ., Tempe, USA



Wednesday, 1:30 – 5:00 PM (Kona 4)

Paper Session 6F ~ Labor Markets

Chair: Sungyop KIM, Univ. Missouri, Kansas City, USA

1:30–2:15

Meta-analysis of Empirical Evidence on the Labour Market Impacts of Immigration

Simonetta LONGHI, Univ. Essex, Colchester, United Kingdom, Peter NIJKAMP, Free Univ., Amsterdam, The Netherlands, and Jacques POOT, Univ. Waikato, Hamilton, New Zealand

Discussant: Hans WESTLUND, Royal Institute of Technology, Stockholm, Sweden

2:15–3:00

Job Search and the Flow of Knowledge

Michael OLSSON, Univ. Skövde, Sweden

Discussant: Jack OSMAN, San Francisco State Univ., USA

3:00–3:30, Coffee Break

3:30–4:15

Matching Processes and Settlement Patterns: The Case of Norway

Mikko MOILANEN, Univ. Tromsø, Norway

Discussant: Joan B. ANDERSON, Univ. San Diego, CA, USA

4:15–5:00

Market Size and Employment: Separating Diversity and Scale Effects

Martin ANDERSSON and Johan KLAESSON, Jönköping International Business School, Sweden

Discussant: Kimberly VACHAL, North Dakota State Univ., Fargo

Wednesday's Program continues on Page 16...



Wednesday, 1:30 – 5:00 PM (Kona 5)

Paper Session 6G ~

Papers in Honor of Geoff Hewings II

Organizer: Sandy DALL'ERBA, Univ. Arizona, Tucson, USA

Chair: Lucy A. KEHINDE, Univ. Illinois,
Urbana-Champaign, USA

1:30–2:15

**Does Wage Differential Driven Migration Continue to Exist?
Tests on the Role of Regional Economic Structure in Wage
Differential Driven Migration**

Jaewon LIM, Univ. Arizona, Tucson, USA

Discussant: Rachel S. FRANKLIN, Association of American
Geographers, Washington, DC, USA

2:15–3:00

**An Integrated Production-Stage Analysis on Market Areas and
Supply Areas**

Daisuke NAKAMURA, Univ. Illinois, Urbana-Champaign, USA

Discussant: Jean H. P. PAELINCK, George Mason Univ.,
Fairfax, VA, USA

3:30–4:15

**The Leading Role of Manufacturing in the Regional Economic
Growth in China: A Spatial Econometric Approach of Kaldor's
Laws**

Dong GUO, Univ. Bourgogne, France, Sandy DALL'ERBA, Univ.
Arizona, Tucson, USA, and Julie LE GALLO, Univ. Franche-
Comté, France

Discussant: Haifeng QIAN, George Mason Univ., Fairfax,
VA, USA

4:15–5:00

Closing Remarks

3:00–3:30, Coffee Break

5:45 PM, Conferences ends.



And Next Year...

The Silverado Resort in the Napa Valley

In 2009, the 48th Annual Meeting of the WRSA will be held at the Silverado Resort in the heart of the Napa Valley wine country. A number of this year's participants will have fond memories of the two previous conferences held at the Silverado back in 1988 and 1996. Participants will be lodged in spacious condominium units and, as usual, we've negotiated great rates. We think you'll enjoy the good cheer of this superb Country Club and Spa.

Reserve the dates February 18 (Sunday) to 21 (Wednesday). WRSA's 48th Annual Meeting is a conference you simply owe it to yourself to attend! Get working on a paper for submittal by the traditional October 15 deadline.

WRSA: The way academic life should be.



Our Hawai'i Meetings

This year's 47th Annual Meeting is the eighth held in the Hawaiian Islands. WRSA Fellow and former Executive Secretary, Lay Gibson, organized our first Hawaii Meeting at the Prince Kuhio Hotel in Honolulu in 1983. That was the only time the main conference has been held in Oahu – the other seven times we have met on one of the Neighbor Islands.

This is our third conference on the Big Island. We met right here in Waikoloa at the Royal Waikoloan Resort (now the Waikoloa Beach Marriott) in 1997. Ten years earlier, in 1987, we were in Keauhou at the Kona Surf Resort. Here are all the locations where we've met since the Association's founding:

47 th	2008	Hilton Waikoloa Village Resort, Hawaii, HI
46 th	2007	Hyatt Regency, Newport Beach, CA
45 th	2006	La Fonda, Santa Fe, NM
44 th	2005	Hyatt Regency Islandia, San Diego, CA
43 rd	2004	Marriott Wailea Resort, Maui, HI
42 nd	2003	Rio Rico Resort, Rio Rico, AZ
41 st	2002	Hyatt Regency Monterey, Monterey, CA
40 th	2001	Riviera Resort and Racquet Club, Palm Springs, CA
39 th	2000	Sheraton Kauai Resort, Poipu, HI
38 th	1999	Ojai Valley Inn, Ojai, CA
37 th	1998	Hyatt-Regency Monterey, Monterey, CA
36 th	1997	Royal Waikoloan Resort, Waikoloa, Hawaii, HI
35 th	1996	Silverado Country Club and Resort, Napa, CA
34 th	1995	San Diego Princess Resort, San Diego, CA
33 rd	1994	Westward Look Resort, Tucson, AZ
32 nd	1993	Maui Inter-Continental Resort, Wailea, Maui, HI
31 st	1992	Caesar's Tahoe Resort, South Lake Tahoe, NV
30 th	1991	Monterey Plaza Hotel, Monterey, CA
29 th	1990	Kaluokoi Hotel, Molokai, HI
28 th	1989	San Diego Princess Resort, San Diego, CA
27 th	1988	Silverado Country Club, Napa, CA
26 th	1987	Kona Surf Resort, Keauhou, Hawaii, HI
25 th	1986	Surf and Sand Hotel, Laguna Beach, CA
24 th	1985	Hotel Del Coronado, Coronado (San Diego), CA
23 rd	1984	Casa Munras Hotel, Monterey, CA
22 nd	1983	Prince Kuhio Hotel, Honolulu, HI
21 st	1982	Miramar Hotel, Santa Barbara, CA
20 th	1981	Newporter Inn, Newport Beach, CA
19 th	1980	Doubletree Inn, Monterey, CA
18 th	1979	Vacation Village Hotel, San Diego, CA
17 th	1978	Mansion Inn, Sacramento, CA
16 th	1977	Doubletree Inn, Tucson, AZ
15 th	1976	Vacation Village Hotel, San Diego, CA
14 th	1975	Riviera Hotel, Palm Springs, CA
13 th	1974	Edgewater Hyatt House, Long Beach, CA
12 th	1973	Del Monte Hyatt House, Monterey, CA
11 th	1972	Vacation Village Hotel, San Diego, CA
10 th	1971	Santa Barbara Biltmore Hotel, Santa Barbara, CA
9 th	1970	Vacation Village Hotel, San Diego, CA
8 th	1969	Newporter Inn, Newport Beach, CA
7 th	1968	Vacation Village Hotel, San Diego, CA
6 th	1967	(Meeting site unknown), Las Vegas, NV
5 th	1966	Santa Barbara Inn, Santa Barbara, CA
4 th	1965	(Meeting site unknown)
3 rd	1964	Student Union, Arizona State University, Tempe, AZ
2 nd	1963	Student Union, University of Oregon, Eugene, OR
1 st	1962	University of California, Berkeley, Berkeley, CA



Program Participant Locator

Session assignments are listed following each participant's name:

1A, 1B, 1C, 1D, 1E, 1F, 1G on Monday Morning
2A, 2B, 2C, 2D, 2E, 2F, 2G, 2H on Monday Afternoon

3A, 3B, 3C, 3D, 3E, 3F on Tuesday Morning
4A, 4B, 4C, 4D, 4E, 4F on Tuesday Afternoon

5A, 5B, 5C, 5D, 5E, 5F on Wednesday Morning
6A, 6B, 6C, 6D, 6E, 6F, 6G on Wednesday Afternoon

OS = Opening Session on Sunday Afternoon

WB = WRSA Board Meeting on Monday Afternoon
AL = Annual Banquet Luncheon on Tuesday

W133 = W-2133 Sessions:

- I. Monday Morning
- II. Joint W-2133/WRSA Session 2A Monday Afternoon
- III. Tuesday Morning
- IV. Tuesday Afternoon

W192 = W-1192 Business Meeting on Wednesday Morning

Roman typeface (regular font) for a session designator indicates a paper author, panelist, or speaker; **Boldface** indicates a session chair; *Italics* indicate a discussant.

~A~

ACS, Z. (2E, 4F) zacs@gmu.edu
ADANU, K. (2A)
ADIBI, E. (1G) adibi@chapman.edu
ALEVY, J. (6A)
ANDERSON, J.B. (3F, 6F) joana@sandiego.edu
ANDERSSON, M. (3B, 5A, 6F) martin.andersson@jibs.hj.se
ANSELIN, L. (1C, 4B) luc.anselin@asu.edu
ARZAGHI, M. (1B, 4F) arzaghim@nber.org
ASAY, G.R.B. (3E, 4D, 5F) gasay@usc.edu
AVEGALIO, F. (1F)

~B~

BACKMAN, M. (1E, 6C) mikaela.backman@jibs.hj.se
BAE, C.-H.C. (3E, 5F) cbae@u.washington.edu
BAE, J. (2G)
BAE, S. (WB, 4B, 6B) bae@sfsu.edu
BAILLY, A. (1F, 2B) antoine.bailly@geo.unige.ch
BASSOK, A. (5F)
BATBYAL, A. (5C, 5C, 5C) aabgsh@rit.edu
BAYAR (5A) ali.bayar@ulb.ac.be
BEAUDRY, P. (3B)
BECKSTEAD, D. (5E)
BERGMAN, E. (1D, 3A) edward.bergman@gmail.com
BERGSTROM, J. (2A) jberg@uga.edu
BESTELMEYER, B. (6A)
BEYERS, W.B. (2G, 3A) beyers.b@washington.edu
BIRKELÖF, L. C. (6B) lena.birkelof@econ.umu.se
BIZET, B. (1A) bizet@essec.fr
BLACKSTONE, E.A. (3E)
BOEKEMA, F. (1D, 2G) f.w.m.boekema@uvt.nl
BOND, C. (2A, 3C, 6E) craig.bond@colostate.edu
BONHAM, C. (OS, 2H) bonham@hawaii.edu
BORDEN, G.W. (1F) bordenb@unce.unr.edu
BOURGEOIS, Y. (1E)
BOUVET, F. (1B, 2D) bouvet@sonoma.edu
BRASINGTON, D.M. (4B, 6B) dbrasin@lsu.edu
BROWN, L.A. (5E) brown.8@osu.edu
BROWN, W.M. (3F, 5E) mark.brown@statcan.ca
BROWNING, J. (6C, 6C) jessb@u.washington.edu
BRUCE, D. (1E)
BUCK, A.J. (3E, 4C) buck@temple.edu
BURR, S. (1F)
BURTRAW, D. (3C)
BUTTON, K. (4F) kbutton@gmu.edu

~C~

CAI, J.N. (6C)
CARROLL, M.C. (1C, 6D) mcarrol@bgnnet.bgsu.edu
CARRUTHERS, J.I. (2D, 3F) john.i.carruthers@hud.gov
CHAKRABORTY, K. (1A) kchakrab@emporia.edu
CHAN, H.L. (5C)
CHEN, Y. (3C)
CHO, J.B. (2D)
CHO, J.K. (3D, 6D) joongkoo.cho@gmail.com
CHO, S.-C. (2D)
CHOI, I.H. (1A, 5B, 6C) ashley0416@gmail.com
CHOI, M. (2G, 3D) mschoi@snu.ac.kr
CHOI, S. (5E, 5E) choi@scag.ca.gov
CHIRINKO, R.S. (6B)
CHURCH, R.L. (2B, 4C) church@geog.ucsb.edu
CLARK, M. (1F)
CLARKE, A.E. (2G, 3A) aclarke@eda.doc.gov
CLAY, P. (3C)
CLEMENS, J. (3E)
CLOWER, T.L. (3A, 4F) tclower@unt.edu
COLE, T. (5D, 5D) fftmc@uaf.edu
COLEMAN, K. (2G) colemake@whitman.edu
CONKLIN, R. (3C)
CONSTANTIN, D.L. (1F, 2C) danielaconstantin@ase.ro
COREY, K.E. (4A, 6D) kenneth.corey@ssc.msu.edu
COUPAL, R.H. (6A)
COUTROT, B. (1C)
CULLEN, D. (6E)
CULLEN, K. (W133) kelly.cullen@unh.edu

~D~

DALL'ERBA, S. (5A, 6G) dallerba@u.arizona.edu
DALTON, R.J. (2B) rdalton@uci.edu
DALY, M. (1B, 2D, 3A) mary.daly@sf.frb.org
DANTAS, R.A. (5A) rubens@dantas.eng.br
DAVIES, S. (2A)
DAVIS, A.F. (4C, 5F) alison.davis@uky.edu
DAVIS, J.C. (1B, 2G, 4F) jdavis@nber.org
DAY, J.C. (6E)
DE PINTO, A. (1A, 5B) alex_depinto@redlands.edu
DEICHMANN, U. (4B)
DESJARDINS, P.-M. (1E, 6D)
pierre-marcel.desjardins@umoncton.ca
DING, L. (1B)
DIMOU, M. (4A, 6E) dimou@univ-reunion.fr
DOMS, M. (1A, 2F, 3B) markdoms@yahoo.com

Program Participant Locator...**~F~**

FADALI, E. (6A)
 FAÍÑA, A. (2D)
 FAJAR, L. (1B, 2D) luhurfm@yahoo.com
 FARRELL, L.M. (2B, 4A) michael_farrell@uqtr.ca
 FAST, H. (5D, 5D) helen.fast@dfo-mpo.gc.ca
 FOLMER, H. (3C, 6B) henk.folmer@wur.nl
 FORTUNA, M. (1E, 5A) fortuna@notes.uac.pt
 FOULKE, T.K. (6A, 6A) foulke@uwyo.edu
 FRANKLIN, R.S. (2B, 6G) rfranklin@aag.org
 FRIEDRICH, P. (1E) peter@mtk.ut.ee
 FRIZADO, J. (1C)
 FURLONG, F. (2F)

~G~

GABRIEL, S. (3C)
 GEN, S. (6B)
 GERST, J. (1E, 3A) jeremy.gerst@sfrb.org
 GETIS, A. (OS, WB) getis@mail.sdsu.edu
 GHADIMI, H. (3C, 5C) hodjat.ghadimi@mail.wvu.edu
 GIBSON, L.J. (3A, WB, 4E) ljgibson@ag.arizona.edu
 GILL, W. (1D, WB, 5B) gill@sfu.ca
 GIULIANO, G. (2F, 5B, 5B) giuliano@usc.edu
 GOLDSTEIN, H.A. (1D, 3A) hgold@email.unc.edu
 GORDON, P. (WB, 3F, 5F) pgordon@usc.edu
 GOODRIDGE, L.E. (6D)
 GRÅSJÖ, U. (2E, 3A) urban.grasjo@hv.se
 GREENWOOD, M.J. (WB, 3D, 3F)
 michael.greenwood@colorado.edu
 GRUBESIC, T.H. (1C, 2B) tgrubesi@indiana.edu
 GRUENER, R.P. (3A)
 GRUN-RÉHOMME, W. (2B)
 GUO, D. (3D, 6G) dong.guo@u-bourgogne.fr
 GUNTON, T.I. (3C, 6E) tgunton@shaw.ca

~H~

HAKIM, S. (3E) hakim@temple.edu
 HALE, G. (1B)
 HARPMAN, D. (6E)
 HARRIS, T.R. (1F, 6A, 6A) harris@cabnr.unr.edu
 HAYNES, K.E. (1B, WB, 3A) khaynes@gmu.edu
 HEARNE, R. (2A) robert.hearne@ndsu.edu
 HEWINGS, G.J.D. (OS, WB, 2G, 3B, AL, 5A)
 hewings@uiuc.edu
 HILD, A.L. (6A)
 HITE, D. (6B)
 HOBBS, B. (3C)
 HOEHN, J.P. (2A) hoehn@msu.edu
 HOGAN, T.D. (1G, 2H, WB, 5E) tim.hogan@asu.edu
 HOLLAND, D. (WB, 3D, 6C) holland@wsu.edu
 HOLLAR, M.K. (2D)
 HOLLY, B.P. (1D, 2G, WB) brian.p.holly@census.gov
 HORA, S. (4D, 4D)
 HU, L. (2B, 5B) lingqiah@usc.edu
 HU, W. (1F, 2C, 6A) wuyang.hu@uky.edu
 HUNTOON, L. (2F, 5B) huntoon@u.arizona.edu
 HUTTON, T.A. (2G, 4E) thutton@interchange.ubc.ca

~I~

IBÁÑEZ, A.M. (3F)
 IDA, T. (4B, 6B) ida@cc.oita-u.ac.jp
 IKAZAKI, D. (3B, 5C) ikazaki@kumagaku.ac.jp
 IRANI, D. (3C)

~J~

JACKSON, R. (WB, 3D, 5A) randall.jackson@mail.wvu.edu
 JAKUS, P. (1F)
 JANSCHITZ, S. (1D, 2F) susanne.janschitz@uni-graz.at
 JOHAHSSON, B. (AL) borje.johansson@ihh.hj.se
 JOHANSSON, S. (3B) sara.johansson@ihh.hj.se
 JOHNSON, D. (2C)
 JONES, B. (5E) bryan.jones@colorado.edu
 JONES, D. (5D, 5D) jones.1@osu.edu
 JONES, J.S. (6A)
 JUN, E. (4C, 5F) bangrr99@snu.ac.kr
 JUN, J. (3E) jungwook.jun@vdot.virginia.gov

~K~

KALEITA, S. (2C) kaleita@u.arizona.edu
 KARLSTRÖM, A. (4C, 5F) andersk@infra.kth.se
 KEHINDE, L.A. (6G) kehinde@uiuc.edu
 KEITH, J. (1F, 2C) jkeith@econ.usu.edu
 KI, J. (2E, 6D) johnki@mju.ac.kr
 KIM, Ahyoung (5A) kima007@snu.ac.kr
 KIM, Dohoon (3E) dhkim1120@incheon.ac.kr
 KIM, Euijune (3B, 3D, AL, 5A) euijune@snu.ac.kr
 KIM, Eungcheol (3E, 3E) eckim@incheon.ac.kr
 KIM, Ho Yeon (1E, 6C) hykim@skku.edu
 KIM, Hong Sok (3C) hskim66@yonsei.ac.kr
 KIM, Jae Ik (2F, 5B) kji@kmu.ac.kr
 KIM, Kabsung (1A, 1E, 6C) kabsung@yonsei.ac.kr
 KIM, Soojun (3F)
 KIM, Sunghun (3D)
 KIM, Sungyop (5E, 6F) kims@umkc.edu
 KIM, T. John (OS, WB, 3E, 5F) tjohnkim@uiuc.edu
 KLAESSON, J. (2D, 6F) johan.klaesson@jibs.hj.se
 KONAN, D.E. (1F, 2C, 5C) konan@hawaii.edu
 KOO, J. (2G) jkoo@korea.ac.kr
 KRAINER, J. (1A, 2F) john.krainer@sfrb.org
 KRIESEL, W. (3C, 5C) wkriesel@uga.edu
 KWON, J.-H. (5B)

~L~

LAING, A.R. (3E)
 LALL, S. (4B)
 LARSEN, J. (1F)
 LAWRENCE, J. (1B, 2D) jlawn1@gmu.edu
 LE GALLO, J. (6G) jlegallo@univ-fcomte.fr
 LEE, B. (3E, 4D, 5F) bumsoole@usc.edu
 LEE, J. (3C)
 LEE, K.G. (1A)
 LEE, W. (3B) iuh@dhs.kyutech.ac.jp
 LESLIE, T.F. (5A) tleslie@gmu.edu
 LEUNG, B. (4D)
 LEUNG, P.S. (6C)
 LEWIS, E. (3B)
 LIGHTBODY, J. (4B, 6E) jim.lightbody@ualberta.ca
 LIM, J. (1D, 6G) jlim@u.arizona.edu
 LIM, U. (1B, 2D) uplim@yonsei.ac.kr
 LINDSEY, R. (3E, 4C) rlindsey@ualberta.ca
 LIU, J. (1F, 1F, 2C, AL) liujuan@hawaii.edu
 LIU, Y. (1B)
 LONGHI, S. (5A, 6F) slonghi@essex.ac.uk
 LÓÓF, H. (2E, 3A) hansl@infra.kth.se
 LOOMIS, J. (2A, 5C, 6E) john.loomis@colostate.edu
 LÓPEZ-RODRIGUEZ, J. (1B, 2D) jelopez@udc.es
 LOZANO-GRACIA, N. (3F, 4B, 6B) nlozano@asu.edu
 LUNDQVIST, L. (3E, 4C) lars@infra.kth.se

~M~

MA, W. (5E)
 MAGALHÃES, A.M. (4F, 5A) magalhaes.am@uol.com.br
 MAIER, G. (1D)
 MAKARENKO, J. (4B)
 MARCIL, G.R. (4A)
 MARQUEZ, M.A. (4E, 5A) mmarquez@unex.es
 MCCOLLUM, D. (2A, 6A) dmccollum@fs.fed.us
 MCCORD, E. (2B)
 MCGEE, G.J.A. (6E)
 MCKEAN, J.R. (2C)
 MCLAUGHLIN, R. (2F, 5A) mclaughr@uci.edu
 MEALOR, R.D. (6A) rdmealor@uwyo.edu
 MEIMAN, P.J. (6A)
 MERA, K. (1A, 2F) mera@usc.edu
 MICHAEL, J. (3C)
 MILLER, J. (3C)
 MITRUT, C. (1F, 2C) cmitrut@ase.ro
 MOHORA, C. (5A) cristina.mohora@ecomod.net
 MOILANEN, M. (3F, 6F) mikko@samf.norut.no
 MOORE, J.E. II (5F)
 MORIKI, H. (3B)
 MORRILL, R.L. (3F, 5E) morrill@u.washington.edu
 MORRIS, D.E. (1E, 6D) dr.doug@unh.edu
 MULLEN, J. (5C)
 MULLIGAN, G.F. (2D)
 MURRAY, A.T. (2B, WB, 4A) murray.308@osu.edu

~N~

NAGLE, N. (1C, 4B, 4E) nicholas.nagle@colorado.edu
 NAKAMURA, D. (3B, 6G) drnakam@uiuc.edu
 NAITO, T. (5C)
 NAM, K. (3C)
 NARWOLD, A. (2F, 2F) drew@sandiego.edu
 NATCHER, D.C. (5D, 5D) david.natcher@usask.ca
 NELSON, G.C. (5B)
 NEWBOLD, B. (WB, 5E) newbold@mcmaster.ca
 NIJKAMP, P. (1D, WB, 5C, 6F) pnijkamp@econ.vu.nl
 NOLAN, J.F. (3E, 4C) james.nolan@usask.ca
 NORDIN, S. (1F)

~O~

O HUALLACHAIN, B. (1E, 5A) ohuallachain@asu.edu
 OGAWA, H. (3B, 4B) ogawa@soec.nagoya-u.ac.jp
 OH, Jinhwan (1C) jo95@cornell.edu
 OH, Jutaek (3E) jutaek@koti.re.kr
 OLADOSU, G. (4D)
 OLIVEIRA VERGOLINO, J.R. (5A) jose.vergolino@globo.com
 OLSSON, M. (2B, 6F) michael.olsson@his.se
 OPESE, M. (5A) masusio@ulb.ac.be
 OSMAN, J.W. (1B, WB, 6F) josman@sfsu.edu
 ØSTBYE, S. (3B, 3B) stein.ostbye@nfh.uit.no
 OUD, H. (6B)
 OVCHINNIKOVA, N. (2E, 2E) novchinn@stlawu.edu

~P~

PAELINCK, J.H.P. (1C, WB, 6G) j.paelinck@planet.nl
 PALMER, K. (3C)
 PAN, Q. (5B)
 PARCELLS, R.P. (2H, 4B) parcels@whitman.edu
 PARK, J.Y. (3D, 5B, 6D) jyoungp@gmail.com
 PARK, Y.J. (1E, 6C) jen21c@empal.com
 PAUL, A. (3C)
 PAVLAKOVICH-KOCHI, V. (2E, 3A) vkp@u.arizona.edu
 PETERSON, S.K. (2B, 4C) steven.peterson@vandals.uidaho.edu

PIPER, S. (2C, 6B) spiper@do.usbr.gov
 PIRAS, G. (3F) gpiras@uiuc.edu
 PLANE, D.A. (WB, AL, 5E) plane@u.arizona.edu
 PLUMMER, L.A. (2E)
 POLZIN, P.E. (1G, 6B) paul.polzin@business.umd.edu
 POOT, J. (6F)
 PROTASEL, G. (5D, 5D, 5D) gp@uaa.alaska.edu

~Q~

QIAN, H. (1D, 6G) hqian@gmu.edu
 QUIGLEY, J. (1A, 2F, WB) quigley@haas.berkeley.edu

~R~

RAMAJO, J. (5A) ramajo@unex.es
 RAPHAEL, S. (1A, 2F, 3D) stevenraphael@berkeley.edu
 RAWLINS, K. (2A) krollins@cabnr.unr.edu
 REDFEARN, C. (2F) redfearn@usc.edu
 REID, N. (1C, 4A) neil.reid@utoledo.edu
 REILJAN, J. (1E, 6D) janno.reiljan@mtk.ut.ee
 REITER, D. (1F)
 RENGERT, G. (2B, 4A) grengert@temple.edu
 RESOSUDARMO, B.P. (3C, 5C, 6B)
 body.resosudarmo@anu.edu.au
 REY, S.J. (1B, 3B, WB) serge@rohan.sdsu.edu
 RICHARDSON, H.W. (3F, 5F) hrichard@usc.edu
 RIEFLER, R.F. (2E, 2E, 4E) rrieffler1@unl.edu
 RIGGS, T.L. (1C, 3A) tammy.l.riggs@census.gov
 RIMBEY, N. (6A, 6A) nrimbey@uidaho.edu
 RINI, Y. (1B)
 ROBERTS, B. (4D, 4D)
 ROGERS, A. (5E, 5E) andrei.rogers@colorado.edu
 RONCONI, L. (3D)
 ROSE, A. (4D, 4D) adamzros@sppd.usc.edu
 ROSENBERGER, R. (2A) r.rosenberger@oregonstate.edu
 ROSENTHAL, L.A. (1A)
 ROSS, K. (3C)
 RUPASINGHA, A. (2G) anilr@nmsu.edu
 RUSTIONO, D. (1B)
 RUTH, M. (WB, 3C, 5C) mruth1@umd.edu
 RUTTEN, R. (1D, 2D) r.p.j.h.rutten@uvt.nl

~S~

SAHIN, M. (1D) msahin@feweb.vu.nl
 SAHLÉN, L. (3C, 5C) linda.sahlen@econ.umu.se
 SALLEZ, A. (1C)
 SCHAFFAR, A. (4A)
 SCHLAG, M. (5D)
 SCHWER, K. (1G, 1G, 2B, WB, 3F) schwer@unlv.nevada.edu
 SEUNG, C.K. (3D, 5A) chang.seung@noaa.gov
 SHARMA, M. (5E)
 SHOUP, D. (3E, 5B) shoup@ucla.edu
 SILVA, C. E. L. e (3B) cesilva@uiuc.edu
 SISIK, S. (5A) suat.sisik@ecomod.net
 SKAGGS, R. (6A, 6A) rskaggs@nmsu.edu
 SMITH, B.W. (1C, 5B) bsmith4@bgnet.bgsu.edu
 STANFIELD, J.R. (6D) ron.stanfield@colostate.edu
 STEINBACK, S. (3C) ssteinba@mercury.wh.who.edu
 STOUGH, R.R. (1D, AL) rstough@gmu.edu
 SULTANA, S. (6E)
 SUNDING, D. (1A)
 SUNG, S.-Y. (2D)
 SUPARMAN, Y. (6B)
 SUTTER, R. (2E)
 SWEENEY, S. (1C, 4E) sweency@geog.ucsb.edu
 SWOBODA, A.M. (1A, 1A) swoboda@pitt.edu

Program Participant Locator...**~T~**

TADJION, O. (2A)
 TANAKA, J. (6A)
 TANIGUCHI, T. (2B)
 TAYLOR, D.T. (W192, 6A, 6A) ttaylor@uwyo.edu
 TAYLOR, R.G. (1F, 2C) gtaylor@uidaho.edu
 THILMANY, D. (2A) dawn.thilmany@colostate.edu
 THOR, E. (3C, 6E, 6E) ethor@asu.edu
 TOBLER, W. (1C, 4A) wtobler@earthlink.net
 TONG, D. (2B, 4C) daoqin@u.arizona.edu
 TORELL, L.A. (6A)

~V~

VACHAL, K. (4F, 6F) kimberly.vachal@ndsu.edu
 VENCILL, C.D. (2E, 4D) dvencill@sfsu.edu
 VENCILL, M.P. (4D, 6D) vencill@bpacal.com
 VON HAEFEN, R. (2A) roger_von_haefen@ncsu.edu

~W~

WALLMO, K. (3C, 6E) kristy.wallmo@noaa.gov
 WATSON, P. (2A)
 WEI, D. (4D)
 WEINSTEIN, B.L. (1D, 3A) budw@pacs.unt.edu
 WENZ, M. (1F, 2C) MWenz@winona.edu
 WESTLUND, H. (1F, WB, 6F) hanswes@infra.kth.se
 WIDYASTUTI, R. (1B)
 WILHELMSSON, M. (4B, 5E) mats.wilhelmsson@infra.kth.se
 WILSON, D.J. (4B, 6B) daniel.wilson@sf.frb.org
 WILSON, J. (2A)
 WILSON, M.I. (6D)
 WOBBEKIND, R.L. (1G) richard.wobbekind@colorado.edu
 WOO, Y. (3D)
 WRIGHT, B.A. (2G, 3A) wrightb@u.arizona.edu

~X~

XIAO, N. (2B)

~Y~

YAKITA, S. (4B) saya_saya0730@hotmail.com
 YE, X. (1B, 6D) xinue.ye@gmail.com
 YEO, C.-H. (5B)
 YU, R. (3D, 6C) run@hawaii.edu
 YUSUF, A.A. (5C)

~Z~

ZEITLIN, J. (1F)
 ZHANG, B. (1C) bzhang3@unl.edu
 ZHANG, T. (2E, 2E) tingzhangphd@gmail.com
 ZIMMERMANN, F.M. (1D, 1D, 2F)
 friedrich.zimmermann@uni-graz.at

**Presidents of the WRSA**

1 st	1960	William Golder
2 nd	1961	Morgan D. Thomas
3 rd	1962	James N. Tattersall
4 th	1963	William S. Peters
5 th	1964	John W. Dyckman
6 th	1965	Charles M. Tiebout
7 th	1966	Fred E. Case
8 th	1967	Paul F. Wendt
9 th	1968	Harold L. Buma
10 th	1969	Bernard Udis
11 th	1970	Edward L. Ullman
12 th	1971	Anthony H. Pascal
13 th	1972	Donald A. Watson
14 th	1973	Charles L. Leven
15 th	1974	Shelly Mark
16 th	1975	Frank G. Mittelbach
17 th	1976	Martin Beckmann
18 th	1977	Parzival Copes
19 th	1978	David Seymour
20 th	1979	Werner Hirsch
21 st	1980	Lee Attaway
22 nd	1981	Niles Hansen
23 rd	1982	Sol Rabin
24 th	1983	Robert Keyes
25 th	1984	Nina Gruen
26 th	1985	Jack Knetsch
27 th	1986	Gunter Schramm
28 th	1987	Bernard Malamud
29 th	1988	Harry W. Richardson
30 th	1989	Paul E. Polzin
31 st	1990	Michael J. Greenwood
32 nd	1991	Kingsley E. Haynes
33 rd	1992	Theodore Lane
34 th	1993	Richard L. Morrill
35 th	1994	John E. Keith
36 th	1995	Antoine S. Bailly
37 th	1996	Jon R. Miller
38 th	1997	Jack C. Stabler
39 th	1998	Lay James Gibson
40 th	1999	Arthur Getis
41 st	2000	John M. Quigley
42 nd	2001	Brenda Moscové
43 rd	2002	Roger Stough
44 th	2003	Koichi Mera
45 th	2004	Juanita Liu
46 th	2005	Lee Huskey
47 th	2006	Jack W. Osman
48 th	2007	Geoffrey J. D. Hewings
49 th	2008	T. John Kim

**Submitting Annual Meeting Papers to:
*The Annals of Regional Science***

Participants are cordially invited to submit their Annual Meeting papers to WRSA's official journal, *The Annals of Regional Science*. The three coeditors, Roger R. Stough, Börje Johansson, and Euijune Kim, are participating at the conference and will be happy to discuss potential submissions and the review process.



New journal with Springer as of 2008

Letters in Spatial and Resource Sciences

Editors-in-Chief: **H. Folmer**; **L. Anselin**; **R. Capello**; **Y. Higano**

Letters in Spatial and Resource Sciences (LSRS) publishes high-quality, shorter papers on new theoretical or empirical results, models and methods in social sciences that contain a spatial dimension. It especially solicits manuscripts from regional science, regional and urban economics, geography, environmental and resource economics, demography, agricultural economics, GIS and spatial econometrics and planning. Examples of suitable contributions would be new formal derivations of theoretical or methodological results, new empirical findings, replications of empirical studies using new methodological approaches, short communications on new algorithms, evaluations of spatial econometric methods and meta-analyses.

- ▶ *LSRS* is the only letters journal in its field
- ▶ Offering quick dissemination and easy accessibility of new results
- ▶ Cross-disciplinary publications of well known editors and authors

ISSN 1864-4031 (print version)

ISSN 1864-404X (electronic version)

Journal no. 12076



Free electronic sample copy on springerlink.com

Regional Studies AND Spatial Economic Analysis

JOURNALS OF THE REGIONAL STUDIES ASSOCIATION

INCREASING TO 10 ISSUES IN 2008

Regional Studies

Editor: **Andy Pike**, Newcastle University, UK
Volume 42, 2008, 10 issues per year
2006 Impact Factor: 1.162

Regional Studies is a leading international journal in theoretical development, empirical analysis and policy debate in the multi- and inter-disciplinary field of regional studies. Regions are a central focus for agenda-setting work that interprets economic, environmental, political and social change and innovation. **Regional Studies** is a central forum in shaping and reflecting the development of advances in studying regions.

Top Cited Articles for *Regional Studies*

- Cool projects, boring institutions: Temporary collaboration in social context
Gernot Grabher
- Territorial innovation models: A critical survey
Frank Moulaert and **Farid Sekia**
- How does insertion in global value chains affect upgrading in industrial clusters?
John Humphrey and **Hubert Schmitz**
- The spatial clustering of science and capital: Accounting for biotech firm-venture capital relationships
Walter W. Powell, **Kenneth W. Koput**, **James I. Bowie** and **Laurel Smith-Doerr**
- The economic performance of regions
Michael Porter
- A global 'urban rollercoaster'
Peter Taylor
- Patterns of development in the furniture industry of Thailand
Allen Scott



Online access
included with
all institutional
subscriptions

Spatial Economic Analysis

Journal of the Regional Studies Association and the Regional Science Association International (British & Irish section)

Managing Editor: **Bernard Fingleton**, University of Strathclyde, UK
Volume 3, 2008, 3 issues per year

Spatial Economic Analysis is an international economics journal aiming for the highest level of quality and esteem.

A spatial perspective has become increasingly relevant to our understanding of economic phenomena, both on the global scale and at the scale of cities and regions. This new theory adds a significant new dimension to the already existing theoretical tools of spatial economics, which broadly aim to analyse the role of geography and location in economic phenomenon. Additionally, spatial economic analysis is increasingly being supported by the emergence of new analytic methods.

For more information on the **Regional Studies Association** please visit:

www.regional-studies-assoc.ac.uk or email: rsa@rsa-ls.ac.uk

Members of the Association receive both **Regional Studies** and **Spatial Economic Analysis** as part of their membership benefits

Why publish with us?

- **Targeted readership** - reach the key experts in your field and influence your peers
- **Wide citation** - we are continuously working to improve the outreach of our journals through vigorous marketing and extensive indexing in abstracting databases, library sites, CrossRef™, and search engines such as Google Scholar
- **Easy submission process** - submit online and use our online tracking system to see where your article is at any stage in the review/production process
- **Swift publication** - **Regional Studies** is posted online ahead of the print editions, ensuring that your article is seen, read and cited by your research community as quickly as possible

To sign up for table of contents,
new publication and citation alerting services from
informaworld™ visit: www.informaworld.com/alerting

Routledge Online Services

informaworld™

A world of specialist information for the academic, professional and business communities. To find out more go to:

www.informaworld.com

Alerting services from informaworld™

To receive the table of contents for **Regional Studies** visit the journal homepage at www.informaworld.com/rs and for **Spatial Economic Analysis** visit

www.informaworld.com/sea

eupdates

Register your email address at

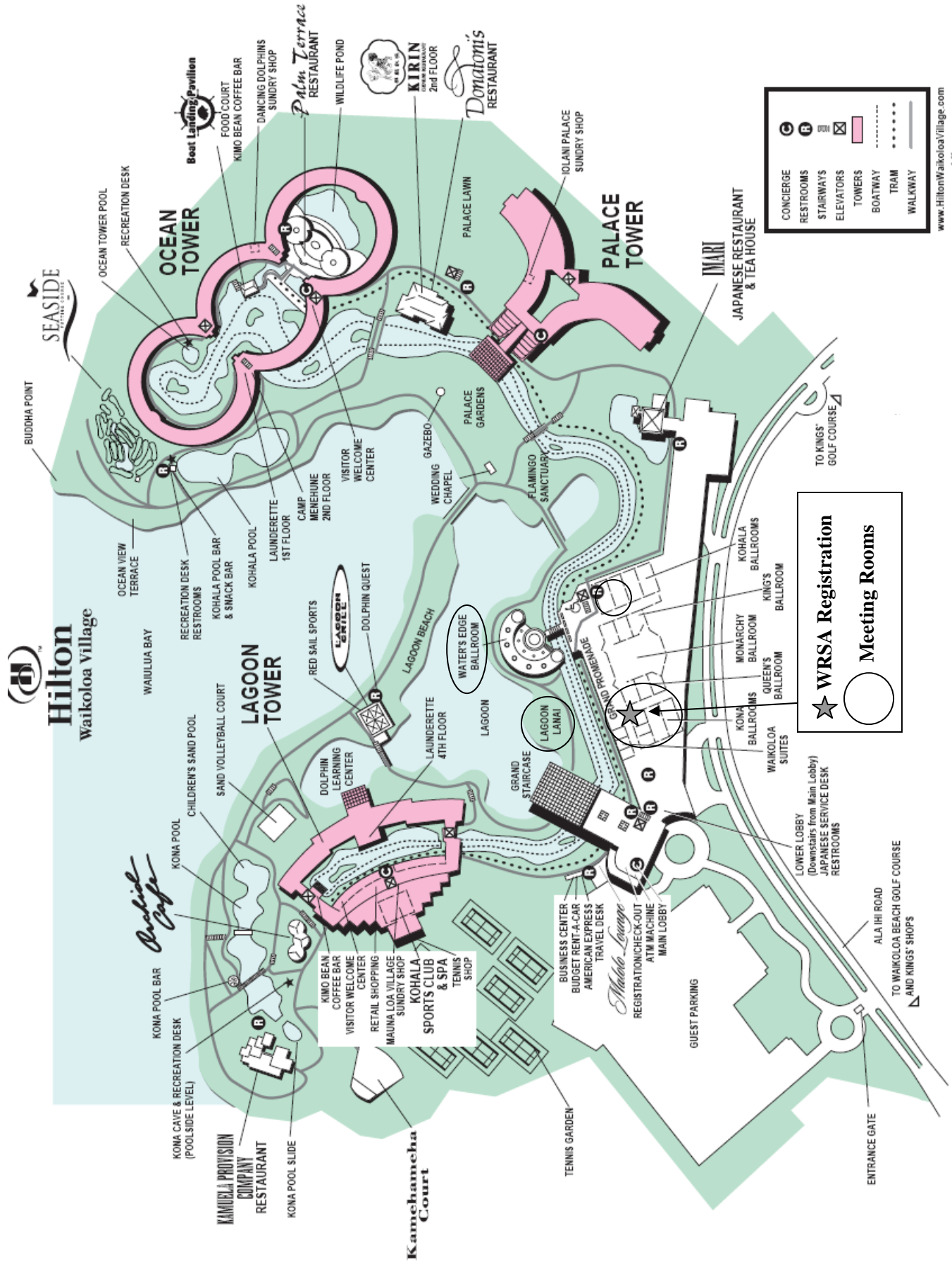
www.informaworld.com/eupdates to receive information on books, journals and other news within your areas of interest.

Promo code: **YF10604A**



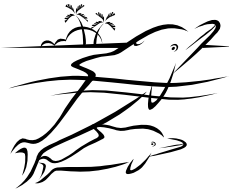
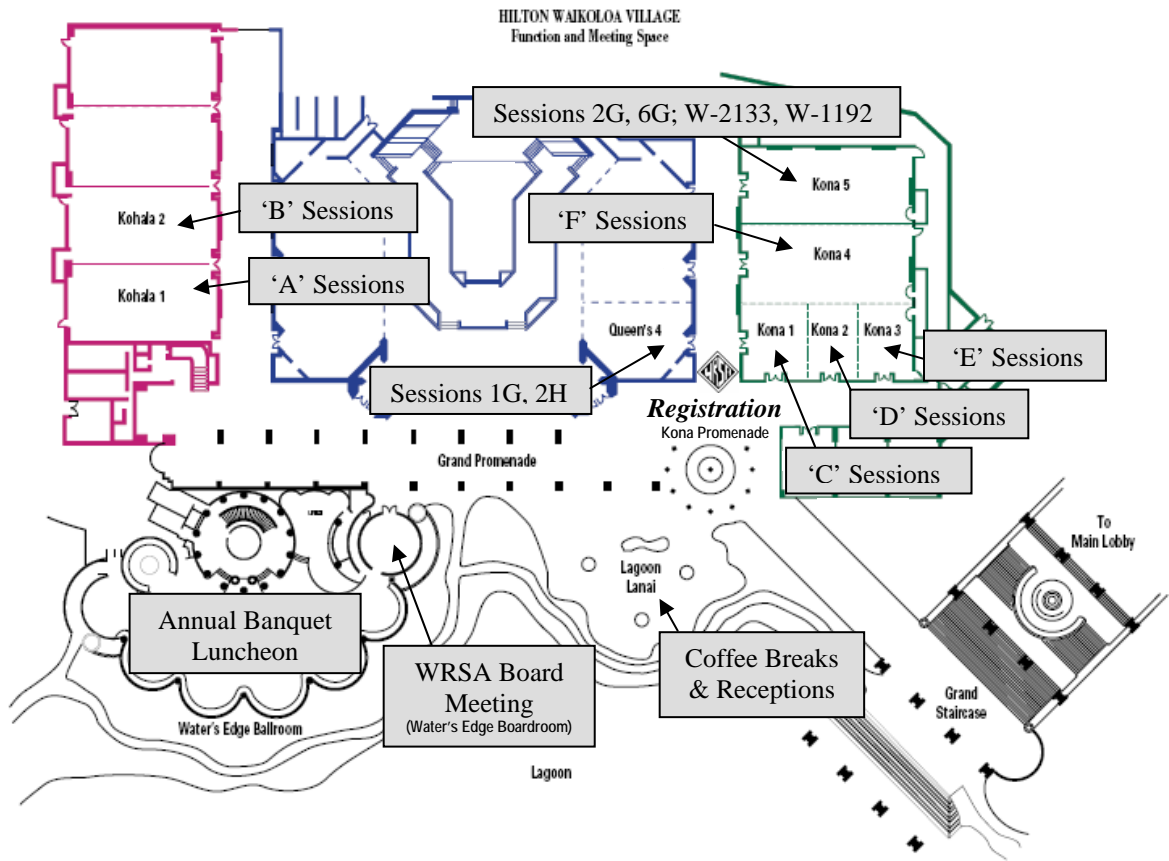
Routledge
Taylor & Francis Group

For further information or to view an online sample copy of
Regional Studies go to: www.informaworld.com/rs
and for **Spatial Economic Analysis** go to: www.informaworld.com/sea





WRSA 47th Annual Meeting Event Locations



Our Conference Venue:

**Hilton Waikoloa Village
69-425 Waikoloa Beach Drive
Waikoloa, Hawaii 96738 USA**

Phone: (808) 886-1234